

ASSEMBLY INSTRUCTION

ITEM#: UCM190002N-CB

SKU#: 810670863

Importer of Record Info / Quality Testing Standards / COO / Choking Warning

9FT ROUND ALUMINUM SCALLOPED UMBRELLA

Need help? We are here for you! 1(866)905 - 4107

Service Hours: 11:30 A.M. to 8:00 P.M. Eastern Standard Time / 8:30 A.M.
to 5:00 P.M. PACIFIC STANDARD TIME EMAIL: customerservice@yotrious.com

CARE AND CLEANING:

Frame: Wipe clean with a mild soap and water solution, rinse with clean water, and dry thoroughly.

Canopy: Spot clean with a soft, damp cloth.

In order to prolong the life of your product, please store in dry sheltered place when not in use or during inclement weather.

WARNINGS:

Umbrella must be used with sturdy umbrella base.

Do not use umbrella in base without table, unless base is rated for stand alone use.

Choose an umbrella base which can clamp onto the umbrella shaft to avoid rotation under windy conditions.

Close the umbrella in high winds to avoid tipping over and damage.

WARRANTY:

1 Year Limited Warranty for Frame and Canopy.

Customer Service: Please note - Do not return this item to the retailer.

Customer Service Hot Line: 1-866-905-4107

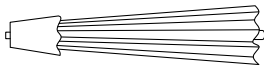
Service Hours: 11:30 A.M. To 8:00 P.M. Eastern Standard Time/8:30 A.M. to 5:00 P.M. Pacific Standard Time

Email: customerservice@yotrious.com

To assist you better, please gather the following information before calling Customer Service:

Product name and style number, description and or images of the issue, original store purchase receipt.

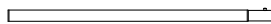
PARTS LIST:



A

x1

UMBRELLA



B

x1

BOTTOM POLE

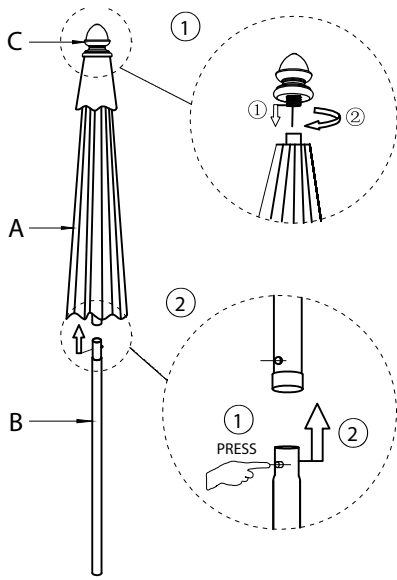


C

x1

FINIAL

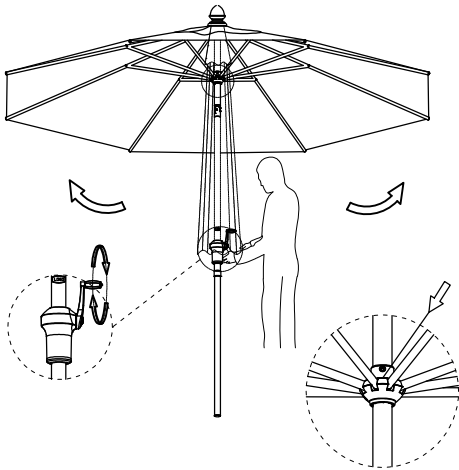
STEP 1



PARTS REQUIRED: A, B, C

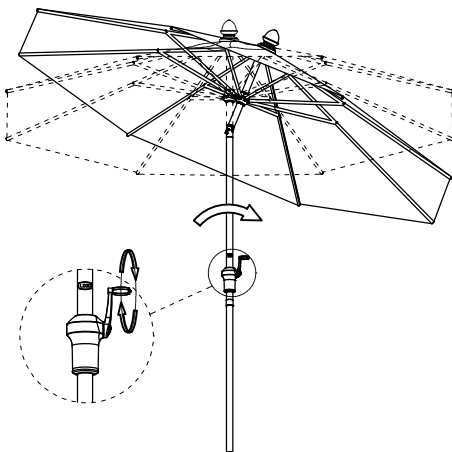
- A. Screw the finial (C) on the top of the umbrella (A).
- B. Press the spring pin on bottom pole (B).
- C. Insert the bottom pole (B) into top pole on umbrella (A). Spring pin will release when the pole is secured.

STEP 2



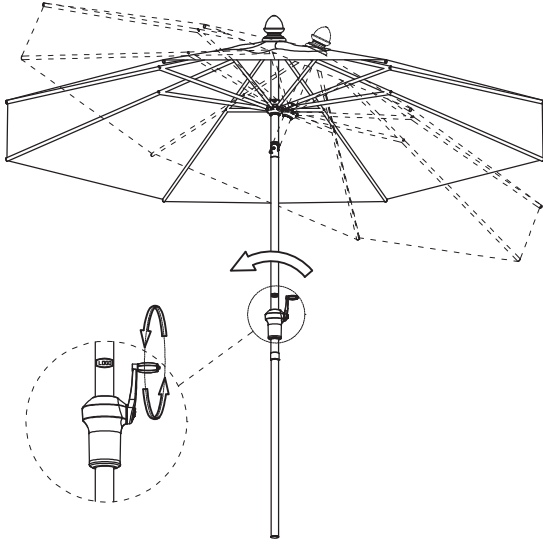
- A. Shake the umbrella to relax the fabric before opening.
- B. Slowly rotate the crank handle clockwise to open the umbrella.

STEP 3



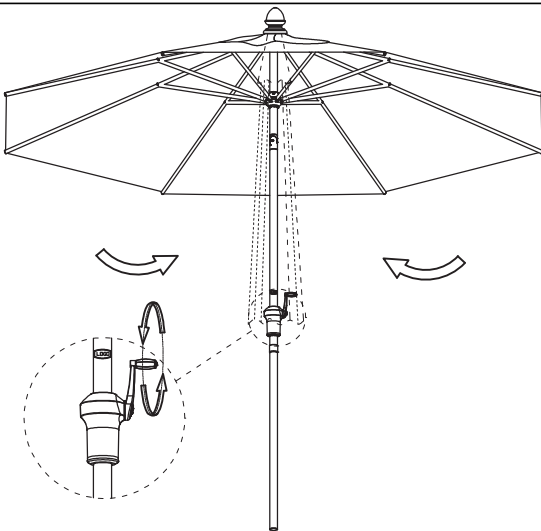
- A. Continue to rotate the crank handle clockwise to adjust umbrella angle.
- B. Adjust umbrella until it locks into place.

STEP 4



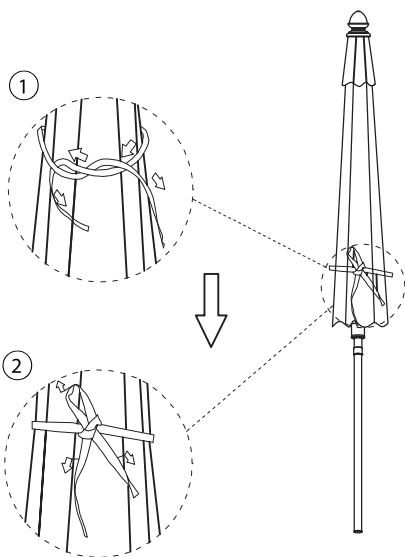
- A. Slowly rotate the crank handle counter-clockwise to make the top of umbrella level.

STEP 5



- A. Continue to rotate the crank handle slowly counter-clockwise to close the umbrella.

STEP 6



- A. Cross the rope and tie off the rope.