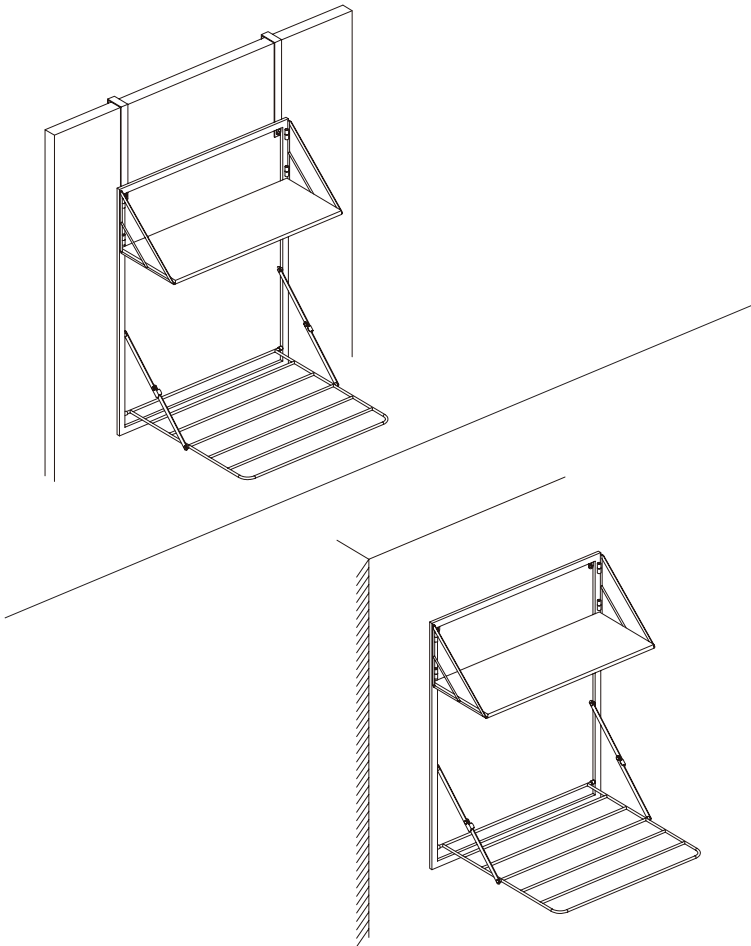




DRY-09779
DRY-09784

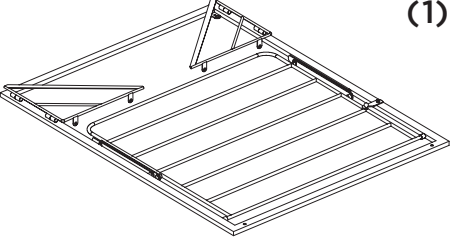
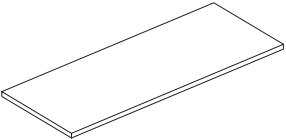

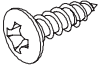
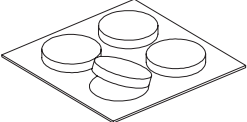
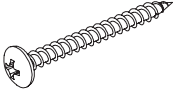
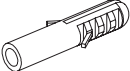
wall shelf and drying rack

NOTE: over-the-door mount or wall mount instructions included



24" L x 20" W x 31" H
50 lb weight capacity

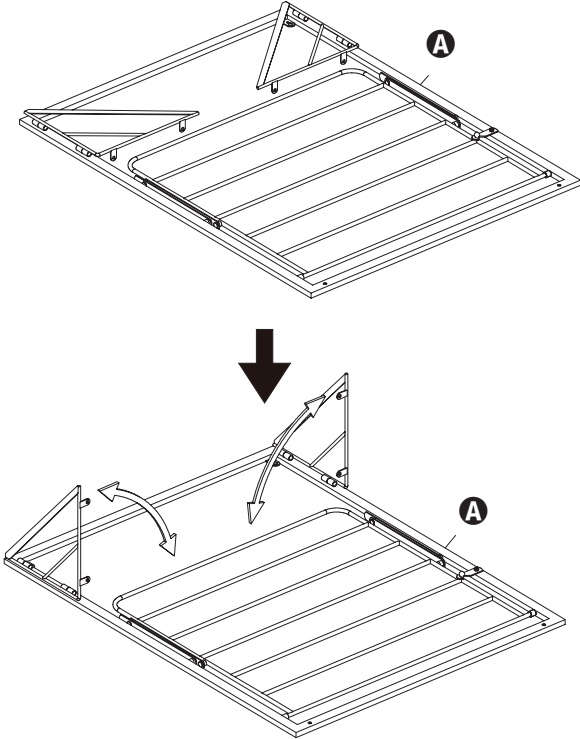
PARTS LIST

PART/ILLUSTRATION	(QTY)	DESCRIPTION
A 	(1)	frame
B 	(1)	shelf
C 	(2)	hooks
D 	(4)	truss philips recess (M4 x 12mm)
E 	(4)	foam protectors
F 	(4)	truss philips screws (M4 x 30mm)
G 	(4)	wall anchors

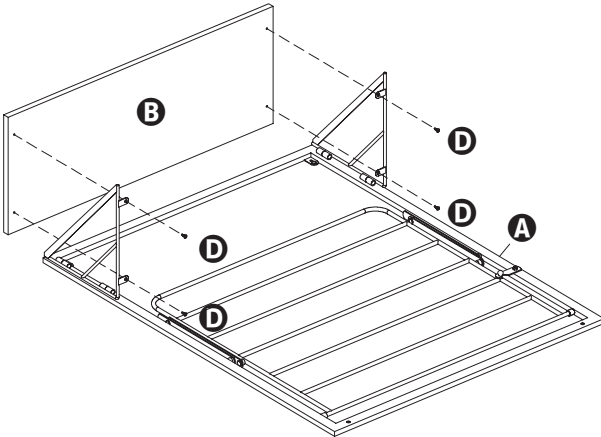
NOTE: Place foam protectors on contact points as needed such as back of hooks, back of frame or on bottom.

ASSEMBLY

1 PREPARE THE FRAME

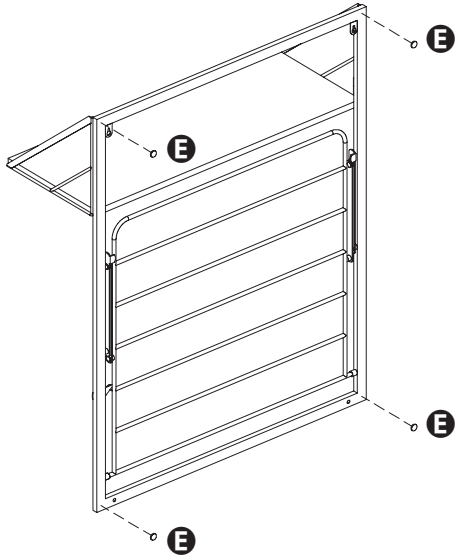


2 ATTACH THE SHELF

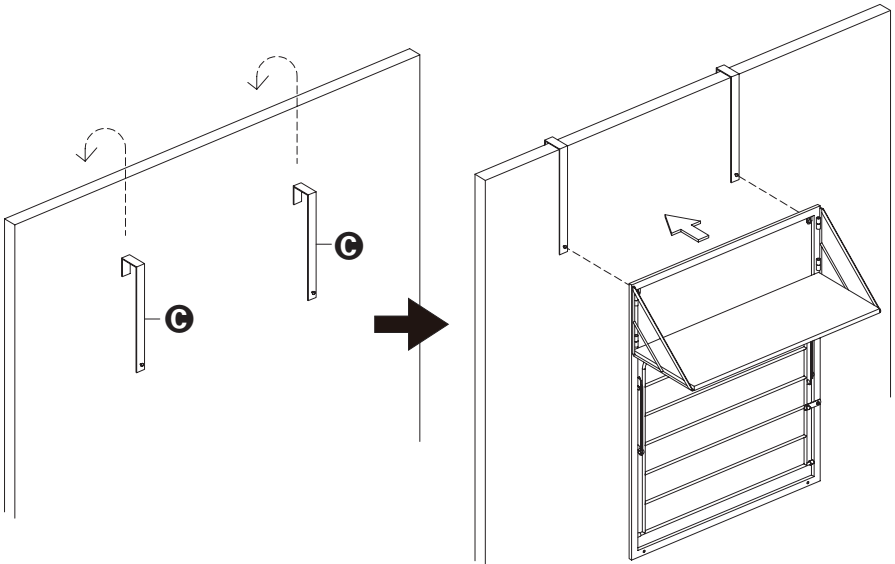


ASSEMBLY

3 ATTACH THE FOAM PROTECTORS

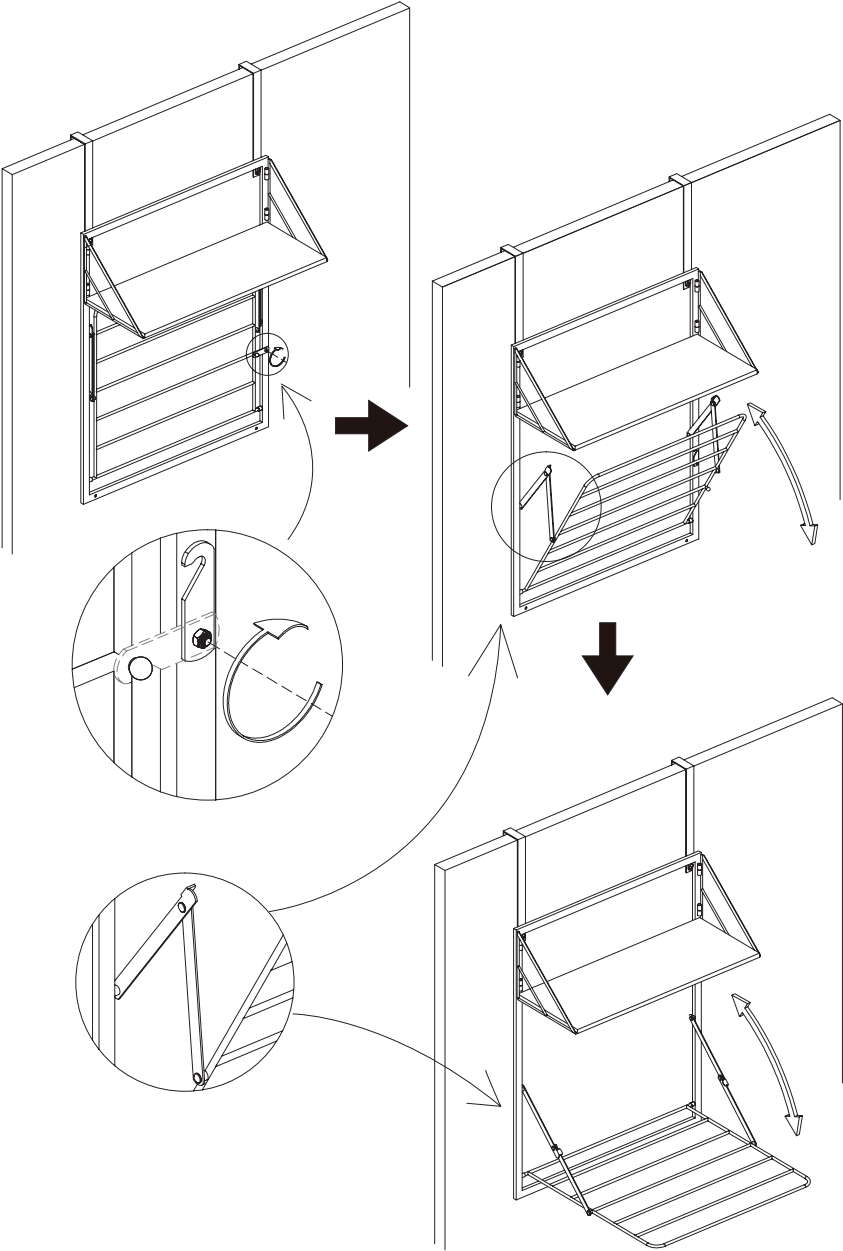


4 ATTACH THE HOOKS FOR OVER-THE-DOOR



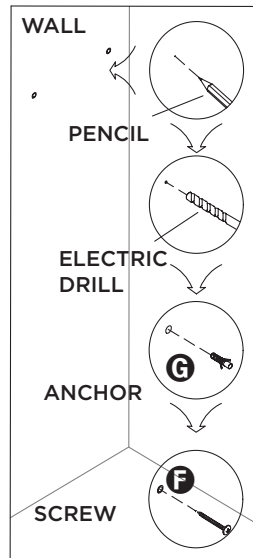
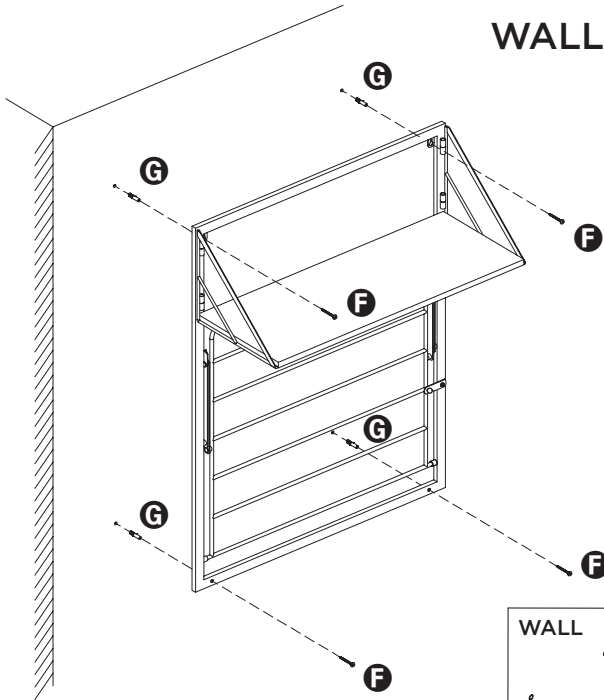
ASSEMBLY

5 UNLOCK AND FOLD DOWN DRYING RACK



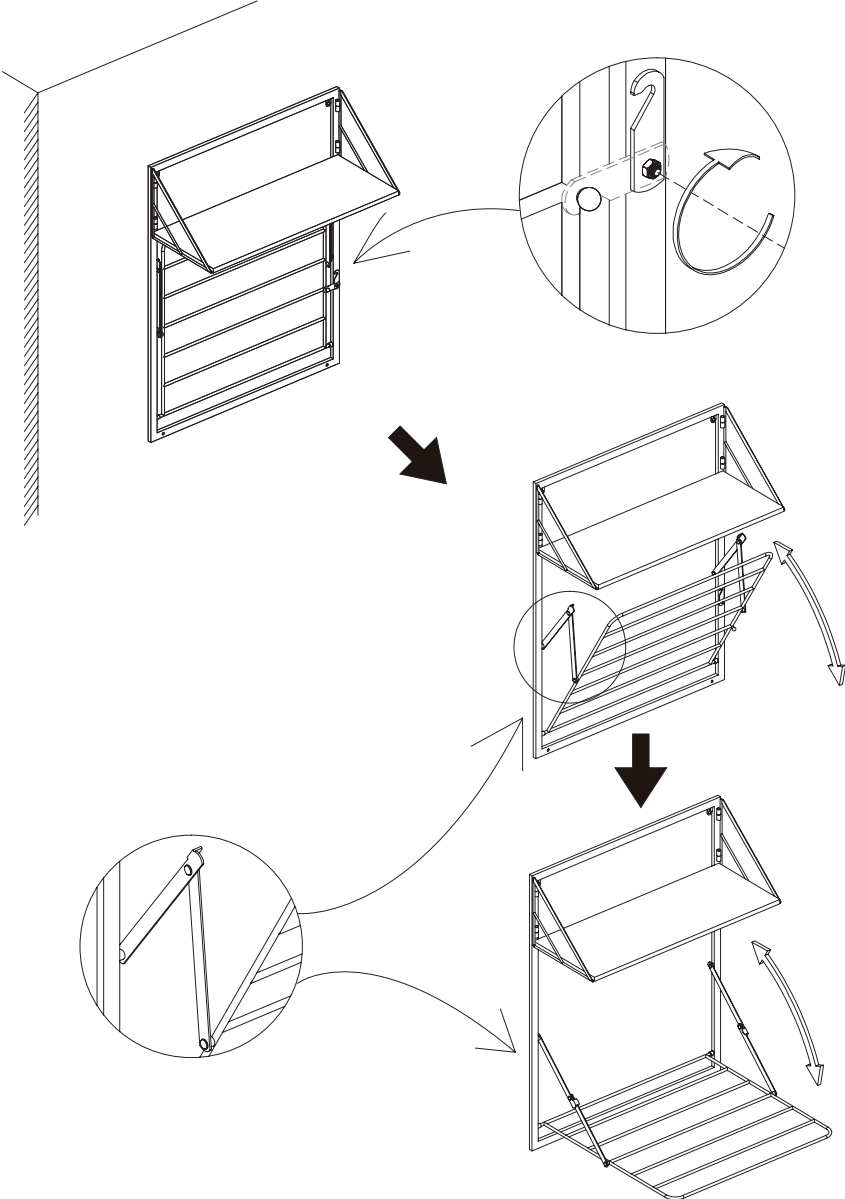
ASSEMBLY

6 WALL MOUNT



ASSEMBLY

7 UNLOCK AND FOLD DOWN DRYING RACK





honey•can•do

Honey-Can-Do International

5300 St. Charles Road, Berkeley, IL 60163 USA
877.242.2636 | honeycando.com | support@honeycando.com
©2021 Honey-Can-Do International, LLC | All Rights Reserved

Visit [youtube.com/myhoneycando](https://www.youtube.com/myhoneycando) to watch our assembly videos.