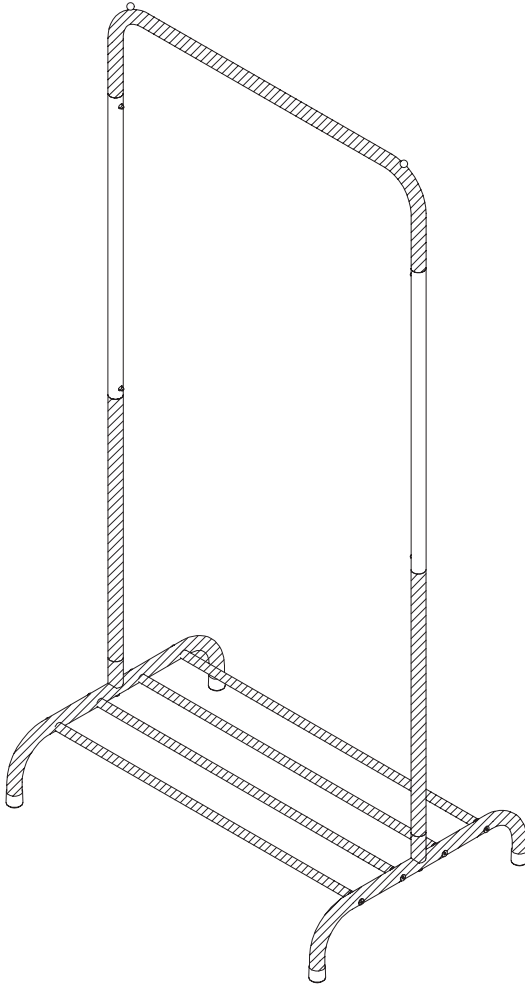
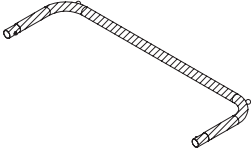
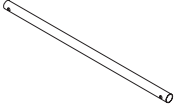
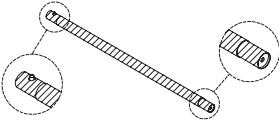
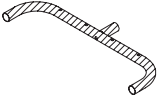
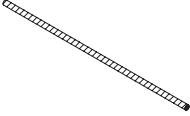

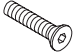
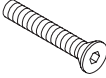



garment rack



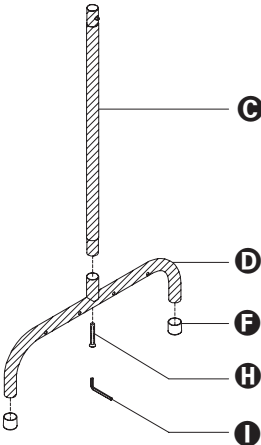
29.5" L x 20" W x 61" H

PARTS LIST

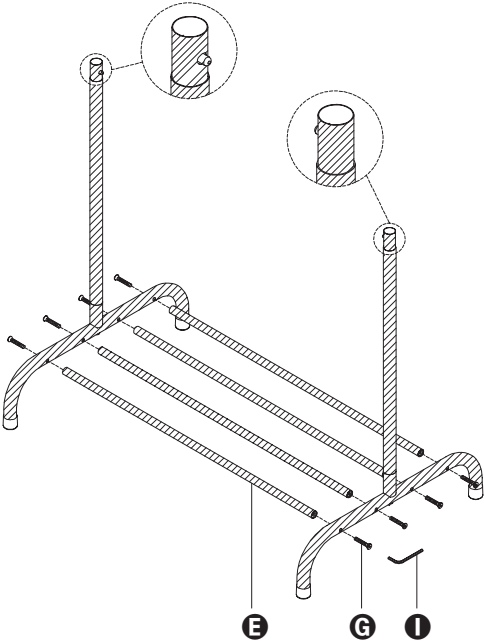
PART/ILLUSTRATION	(QTY)	DESCRIPTION
A 	(1)	top garment rack
B 	(2)	top side supports
C 	(2)	lower side supports
D 	(2)	base frames
E 	(4)	base supports
F 	(4)	feet
G 	(8)	flat head, hex sockets screws ($\frac{1}{4}$ " x 20 x $1\frac{3}{4}$ ")
H 	(2)	pan head, hex sockets screws (M8 x 1.25 x 55mm)
I 	(1)	hex wrench

ASSEMBLY

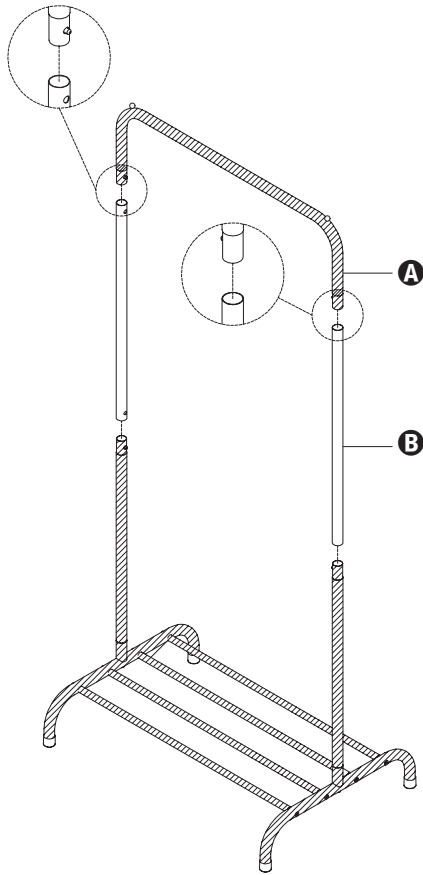
1 x2



2



3



Honey-Can-Do International

5300 St. Charles Road, Berkeley, IL 60163 USA
877.242.2636 | honeycando.com | support@honeycando.com
©2021 Honey-Can-Do International, LLC | All Rights Reserved

Visit [youtube.com/myhoneycando](https://www.youtube.com/myhoneycando) to watch our assembly videos.