



PRIME RESOURCES INTERNATIONAL

a Home Meridian company

# 1985-178 Recliner

---

**IMPORTANT, RETAIN FOR FUTURE REFERENCE: READ CAREFULLY.  
FOR DOMESTIC INDOOR USE ONLY.**

## Care and Cleaning

Dust often and use a vacuum cleaner crevice tool to clean seams. To maintain the fabric appearance, gently clean soiled areas with a soft cloth dampened with a mild, water based detergent. Remove all lather and wipe with a clean, damp cloth. Dry with another soft cloth by blotting the damp surface (do not rub).

### Spot Cleaning Leather

Blot any spills immediately; do not rub. Blot away the excess liquid with a clean, dry, white cloth; turning the cloth frequently.

**Do not** use common household cleaners, solvents, or dry cleaning fluids on leather furniture. These cleaners may cause damage.

**Do not** use or place sharp objects on leather furniture.

**Do not** place furniture in direct sunlight and keep furniture at least 60 cm/2 ft from heat sources to avoid fading.

---

### This Class B digital device complies to part 15 of the FCC rules.

"Operation is subject to the following two conditions: (1) this device may not cause interference, and (2) this device must accept any interference, including interference that may cause undesired operation of the device.

This equipment has been tested and found to comply with the limits for Class B digital device, pursuant to part 15 of the FCC Rules. These limits are designed to provide reasonable protection against harmful interference in a residential installation. This equipment generates, uses and can radiate radio frequency energy and, if not installed and used in accordance with the instructions, may cause harmful interference to radio or television reception, which can be determined by turning the equipment off and on. The user is encouraged to try to correct the interference by one or more of the following measures:

- Reorient or relocate the receiving antenna.
- Increase the separation between the equipment and the receiver.
- Connect the equipment in to an outlet on a circuit different from that to which the receiver is connected.
- Consult the dealer or an experienced radio/TV technician for help.

### Caution:

Modifications not approved by the party responsible for compliance could void user's authority to operate this equipment.

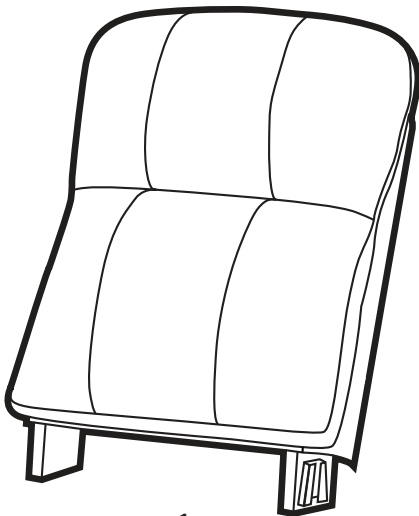
## SAVE THESE INSTRUCTIONS

When using an electrical furnishing, basic precautions should always be followed, including the following:

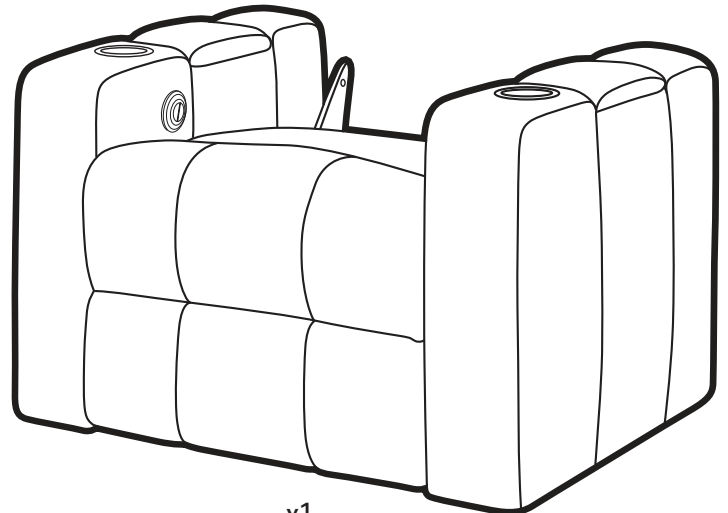
### READ ALL INSTRUCTIONS BEFORE USING THIS FURNISHING

- 1. DANGER:** To reduce the risk of electric shock – Always unplug this furnishing from the electrical outlet before cleaning.
- 2. WARNING:** To reduce the risk of burns, fire, electric shock, or injury to persons, unplug from outlet before putting on or taking off parts.
3. Close supervision is necessary when this furnishing is used by or near children, invalids or disabled persons.
4. Use this furnishing only for its intended use as described in these instructions. Do not use attachments not recommended by the manufacturer.
5. Never operate this furnishing if it has a damaged cord or plug; if it is not working properly, if it has been dropped or damaged, or dropped into water. Return the furnishing to service centre for examination and repair.
6. Keep the cord away from heated surfaces.

## CONTENTS OF CARTON

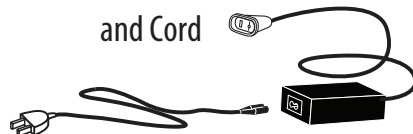


x1  
Recliner Back



x1  
Recliner Base

x1  
Power Transformer  
and Cord



## ASSEMBLY INSTRUCTIONS

### Attaching the chair back to the chair base

Figure A

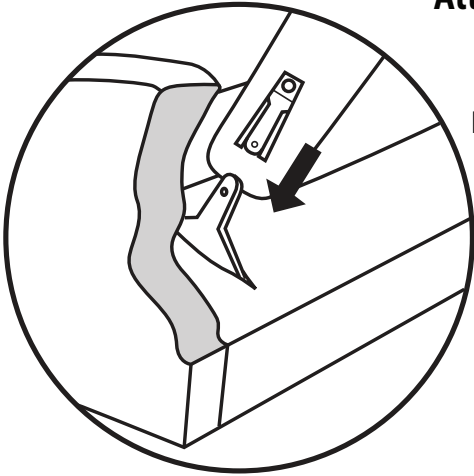
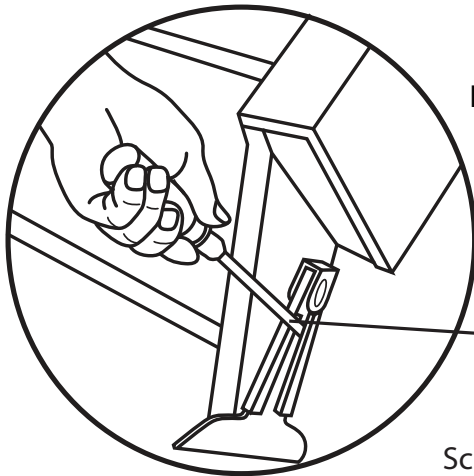
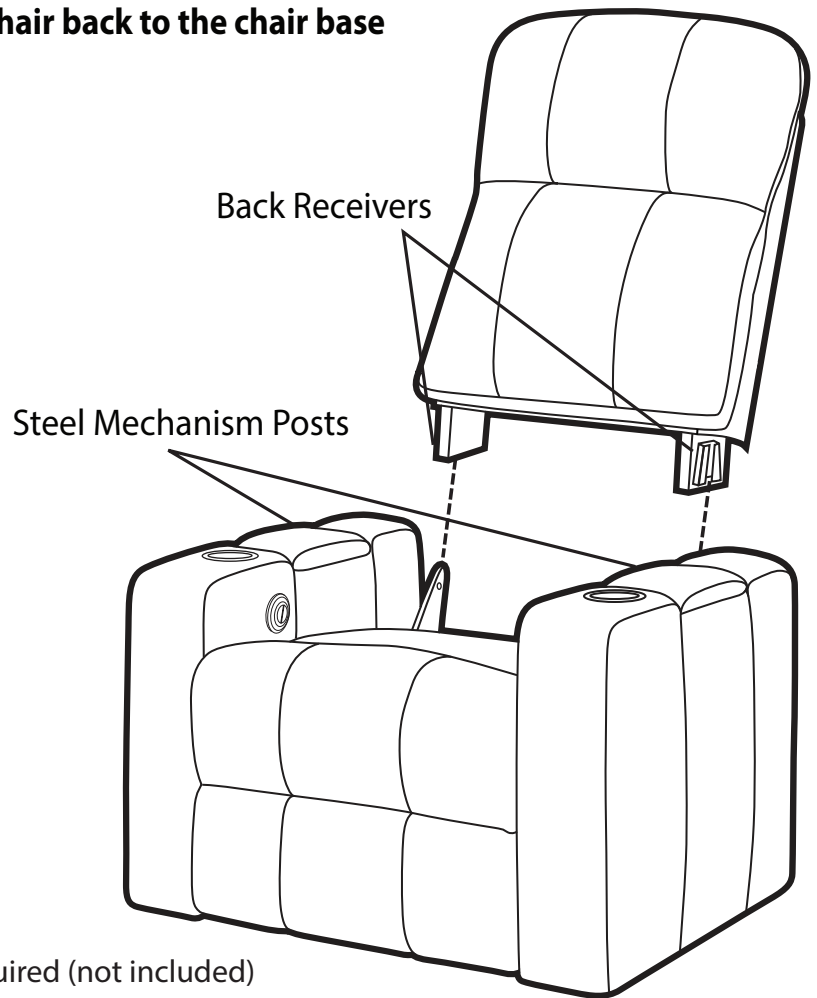


Figure B



Screwdriver required (not included)



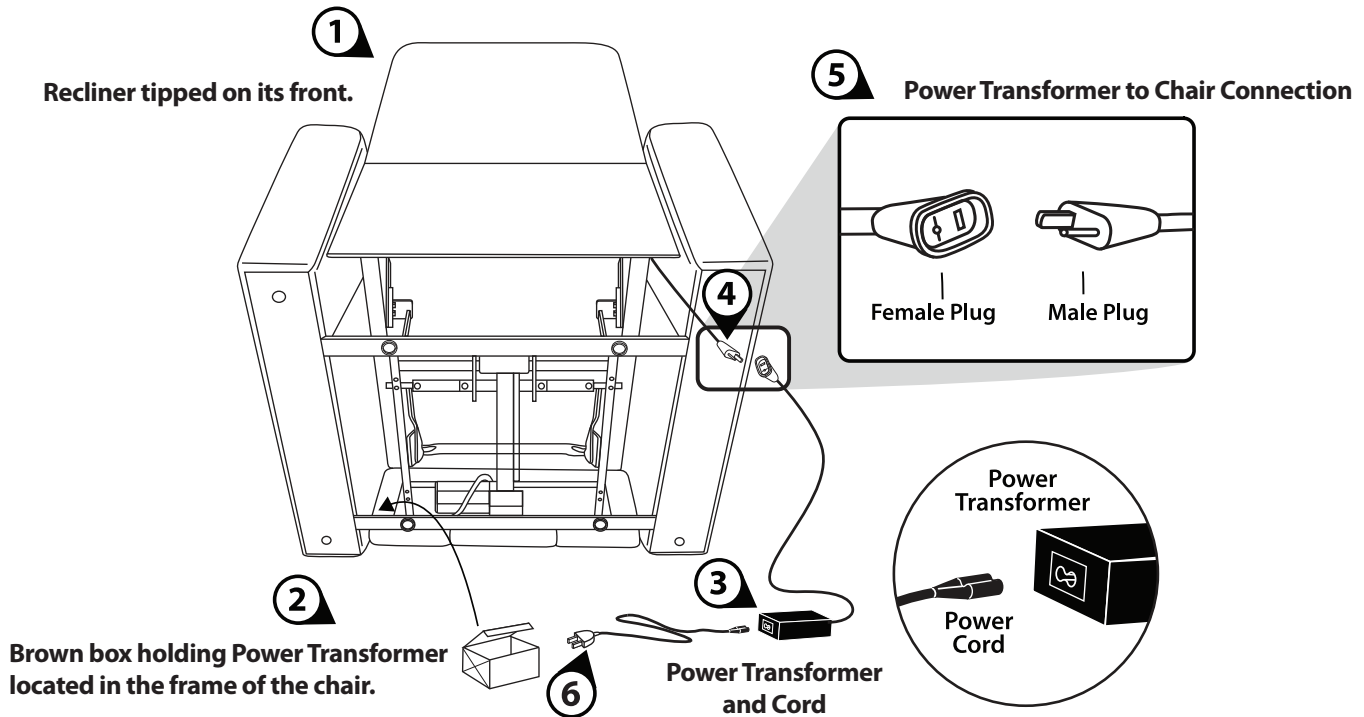
**CAUTION:** PLEASE READ ALL INSTRUCTIONS CAREFULLY BEFORE STARTING ASSEMBLY PROCESS. IT IS RECOMMENDED TO USE TWO PEOPLE WHEN ASSEMBLING AND REMOVING THE INSIDE BACKS TO AND FROM THE BASE OF THE FURNITURE.

- STEP 1:** Slide inside back receivers into the steel mechanism posts in the base of the furniture (Figure A).
- STEP 2:** Press both sides of the inside back firmly into place. The inside back automatically locks into place.
- STEP 3:** To remove the inside backs, use a screwdriver pressing outward on the black tab in the metal sleeve (Figure B) on both sides of the inside back and lift the inside back from the base of the furniture

## ASSEMBLY INSTRUCTIONS

### Instructions to connect the chair's power supply.

- STEP 1:** Position your chair in the general area that it will be placed and pull it over so it is sitting on its face, exposing the bottom of the chair.
- STEP 2:** Locate the Power Transformer in a separate brown box with the Power Cord wrapped around it.
- STEP 3:** Plug the Power Cord into the Power Transformer.
- STEP 4:** Locate the cable and plug tied to the chair's frame.
- STEP 5:** Connect the male plug from the chair to the female plug on the Power Transformer.
- STEP 6:** Set the chair upright and plug the Power Cord into the wall outlet.



## POWER OUTLET AND USB PORTS

