



9 FT ROUND MARKET UMBRELLA

ASSEMBLY INSTRUCTION

ITEM#: UBB3482-617/UBB3482-939/UBB3482-624/UBB3482-625

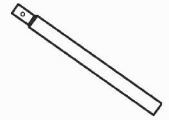
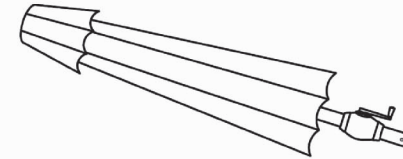
SKU#: 810588776/810544850/810544844/810544848

Customer Service Email Address: info@c2ctradeinc.com

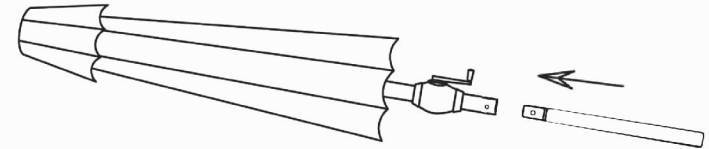
Need help? We are here for you! 1-866-811-0240•Toll Free

Monday Through Friday From 9:00am-5:00pm Easter time

Parts List

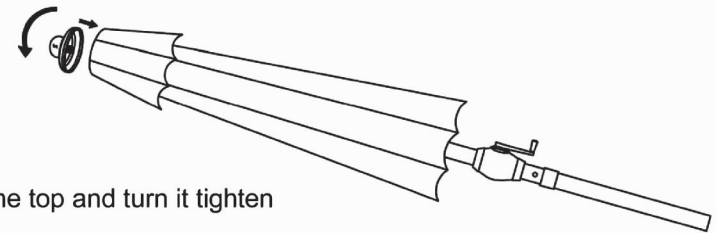


STEP 1



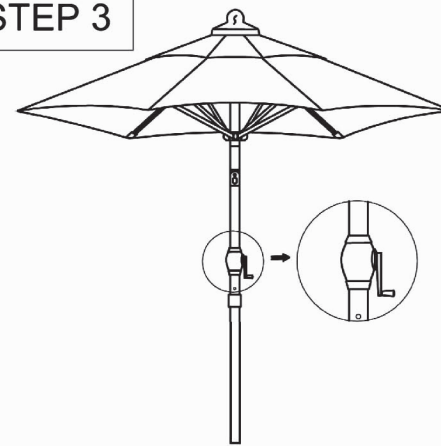
Insert the bottom pole into the upper pole, the umbrella is ready to use when the spring bottom (located on the bottom pole) pops up from the hole (located on the upper pole)

STEP 2



Insert the cap into the top and turn it tighten

STEP 3



Open and close the umbrella by the crank handle

STEP 4



Tilt-adjust feature for maximum shade