

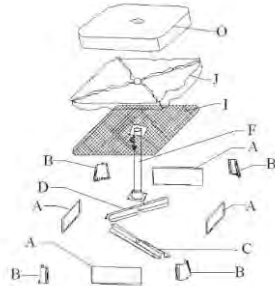
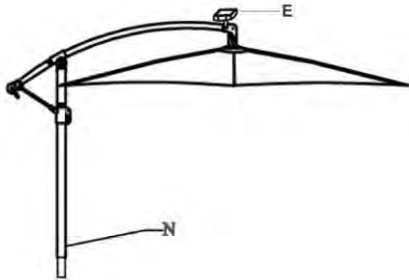


**8 FT x 11 FT GREY SOLAR OFFSET UMBRELLA
WITH HUB LIGHTING AND BASE
ASSEMBLY INSTRUCTION**

**ITEM#: UBD1657
SKU#: 810587823**

**Customer Service Email Address: info@c2ctradeinc.com
Need help? We are here for you! 1-866-811-0240•Toll Free
Monday Through Friday From 9:00am-5:00pm Easter time**

PACKAGE CONTENTS



PART	SCHEMATIC DRAWING	DESCRIPTION	QTY (PC)	PART	SCHEMATIC DRAWING	DESCRIPTION	QTY (PC)
A		Base Frame	4pcs	O		Fabric Base Cover	1pcs
B		Corner Connector	4pcs	E		Solar Panel	1pc
C		Lower Cross Leg (with bolts and washers)	1pc				
D		Upper Cross Leg (with bolts and washers)	1pc				
F		Holder Pole (with control knobs)	1pc				
I		Plastic Net	1pc				
J		Ballast	1pc	UAS-		Canopy (on the umbrella frame)	1pc
N						Umbrella Frame (with canopy and holder pole ring)	1pc

HARDWARE CONTENTS

PART	SCHEMATIC DRAWING	DESCRIPTION	QUANTITY
GG		Hex Bolt M10-1.5x20 A2-70	4pcs (Temporarily attached under the cross legs)
HH		Flat Washer M10 A2-70	4pcs (Temporarily attached under the cross legs)



WARNINGS AND CAUTIONS

WARNING

1. Reading the entire instructions before beginning and follow the steps outlined. Failure to assemble and install as instructed could result in the umbrella tipping over causing personal injury and/or property damage.
2. This umbrella is designed for easy operation, sunshade and decorative purposes only. It is NOT recommended that this umbrella be used during periods of high wind and rain. Always take the umbrella down during high or gusting wind and rain, when not in use and in the off-season. Failure to do so may result in personal injury and/or property damage.
3. Please keep children away from umbrella during assembly to avoid injury.
4. Before opening the umbrella, please make sure that the ballast is filled with sand. Fill the ballast with sand when necessary to increase product stability. Recommended minimum weight of the sand loaded for proper umbrella stability is 150 lbs. (reference step 6 of “ Assembly instructions for the easy ballast base” on page 5). Failure to do so will result in a weight imbalance and cause the umbrella to tip over.
5. DO NOT STAND ON THE UMBRELLA BASE!
6. Do not drag the easy ballast base on the ground to avoid the base from breaking or distorting.

NOTE: To prevent damage to the canopy, do not leave the umbrella open directly facing the wind. Always take down the umbrella when not in use and during high or gusting wind and rain.

CAUTIONS

CANOPY CARE INSTRUCTIONS:

Simply clean the umbrella canopy with a soft brush and mild detergent!

DO NOT machine wash.

DO NOT iron.

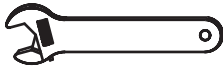
Air dry the canopy thoroughly in an open position before storing for extended periods of time. Make sure the canopy is completely open during drying process to prevent shrinkage.

PREPARATION

Before beginning assembly of product, make sure all parts are present. Compare parts with package contents list and diagram above. If any part is missing or damaged, do not attempt to assemble the product or return to the place of purchase. Contact our customer service toll free at **1-866-811-0240** for replacement parts or further instructions.

Estimated Assembly Time: 30 minutes

Tools Required for Assembly: Open end wrench or adjustable wrench / Phillips screwdriver (Not included)



ASSEMBLY INSTRUCTIONS FOR THE EASY BALLAST BASE

Remove all protective materials. Be careful not to throw away small parts such as bolts, washers, etc. which may be wrapped in the protective materials.

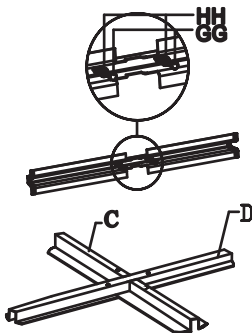


Fig. 1

Step 1. Unscrew the Bolts (GG) and washers (HH) under the cross legs (C and D) and put them aside for use in step 2.

Place the Lower Cross Leg (C) on the ground, line up notches and place Upper Cross Leg (D) over the lower cross leg as shown in Fig 1.

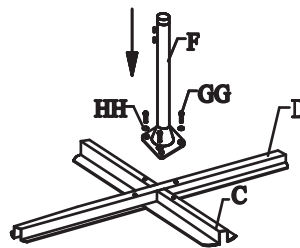


Fig. 2

Step 2. Attach the Holder Pole (F) to the cross legs by using the Bolts (GG) and Washers (HH) from step 1 as shown in Fig 2. Hands tighten only. Adjust the Holder Pole (F) to be sure it is positioned correctly on the base. Finally tighten all bolts. Be careful not to over tighten.

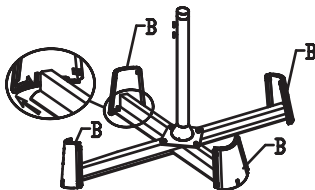


Fig. 3

Step 3. Insert the plastic Corner Connectors to the ends of the cross legs.

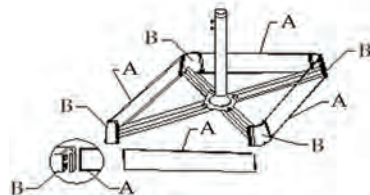
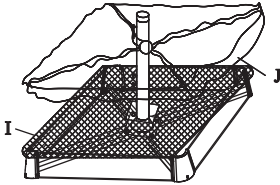
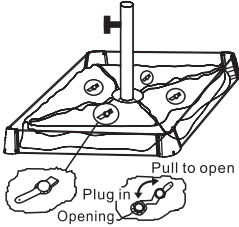
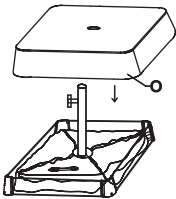
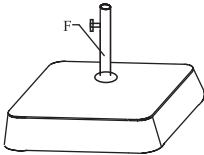


Fig. 4

Step 4. Insert the Base Frame (A) to the hook of the plastic Corner Connector (B) as shown in Fig.4.

INSTALL THE EASY SAND BALLAST BASE (Continued)

 <p>Fig. 5</p> <p>Step 5. Place the Plastic Net (I) into the base and then put in the Ballast (J), make sure that the opening for the sand is on the top.</p>	 <p>Fig. 6</p> <p>Step 6. Place the base in the desired location before filling with sand. Open the Ballast (J) and fill with sand. Make sure the plug is closed.</p>
 <p>Fig. 7</p> <p>Step 7. Place the Fabric Base Cover (O) on the base.</p>	 <p>Fig. 8</p> <p>Step 8. Insert and position the Pole Support (F)</p>

 Do not drag the easy ballast base on the ground to avoid the base from breaking or distorting

PUT DOWN THE UMBRELLA (N) ON A FLAT SURFACE BEFORE ASSEMBLY.

STEP1:

- 1) Let the socket face down to the hanging pole. Insert the bottom ring of the solar panel into the top of the umbrella. Be sure the socket is faced down to the hanging pole. As shown in Fig. 1 .



Fig.1.

- 2) Turn the solar panel clockwise then take it off the umbrella. As shown in Fig. 2 .



Fig.2.

★ THE PLUG WIRE ON THE TOP OF THE UMBRELLA MUST BE PLACED THROUGH THE PLASTIC SLOT

STEP 2:

Pull the head of angle adjust knob slightly. Keep it stay releasing, then insert the main pole of the umbrella frame with canopy(N) into the holder pole (F).



STEP 3:

HOW TO SWIVEL THE UMBRELLA

★ The umbrella can be adjusted to four angles for 360° coverage.

- 1) Pull the angle adjust knob slightly.
- 2) Use one hand to pull the head of angle adjust knob to release, while use other hand swivel the umbrella pole until the pop-out to re-lock to the hole.
- 3) Repeat above procedures to get your desired position.



CAUTION: SWIVEL THE UMBRELLA TO DESIRED POSITION BEFORE OPENING!

HOW TO OPEN THE UMBRELLA:

- 1) Unlock the offset lock handle. As shown in Fig. ①.**
- 2) Raise the offset umbrella to the fully extended position.
As shown in Fig. ②.**
- 3) Lock the offset lock handle. As shown in Fig. ③.**
- 4) Fully extend the hanging pole until it stops at the end.
As shown in Fig. ④&⑤.**
- 5) Slide the plastic sleeve 1 down to lock the arm into place.
As shown in Fig. ④&⑤.**
- 6) Prior to opening be sure canopy and ribs are not tangled.
As shown in Fig. ⑥.**
- 7) Turn the crank clockwise to open the umbrella completely.
As shown in Fig. ⑦.**
- 8) Press the switch to turn the LED lights on or off. As shown
in Fig. ⑧.**
- 9) To tilt the canopy. As shown in Fig. ⑨.**
 - a) Slide the sleeve 1 up to unlock the arm.**
 - b) Slide the hanging pole down or up along the umbrella pole.
This will tilt the canopy to desired position.**
 - c) Unlock the offset lock handle and pull the sleeve 2 down to
match the above desired position, then lock the handle.**
 - d) Slide the sleeve 1 down to lock the arm into place.**
- 10) Attach the canopy tie down to the pole. This will help to
secure the canopy. As shown in Fig. ⑩.**

PRIOR TO OPENING BE SURE CANOPY AND RIBS ARE NOT TANGLED



⑤



HOW TO CLOSE THE UMBRELLA:

- 1) Untie the rope from the pole, then turn the crank counter-clockwise to close the umbrella. As shown in Fig. ①.
- 2) Slide the sleeve 1 up to unlock the arm. As shown in Fig. ②.
- 3) Fully slide the hanging pole down. As shown in Fig. ③.
- 4) Unlock the offset lock. As shown in Fig. ④.
- 5) Slide down the umbrella to the bottom. As shown in Fig. ⑤&⑥.
- 6) Lock the offset lock handle. As shown in Fig. ⑤&⑥.
- 7) Tie the umbrella canopy to the pole. As shown in Fig. ⑦.

CAUTION:

- PLEASE CLOSE THE UMBRELLA AND TIE IT SECRUELY IN SEVERE WEATHER OR STRONG WINDS.
- MAKE SURE TO TURN OFF LED LIGHTS WHEN CLOSE UMBRELLA FOR LONG LIFE USE.



①



①



②



③



④



⑤

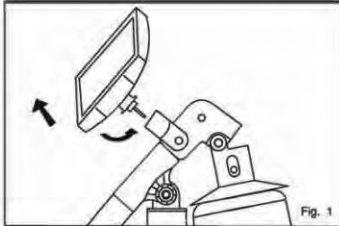
⑥



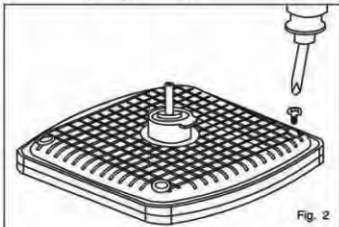
⑦

BATTERIES CHANGE OPERATION INSTRUCTION

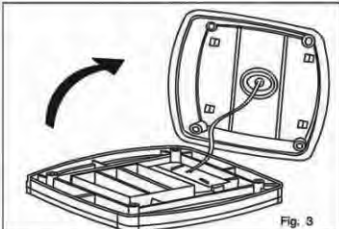
We recommend that you change the batteries of your solar light umbrella every year or when you feel your solar light umbrella is not bright enough. Requires three (3) AA size Ni-MH 1300mAh rechargeable batteries from any store near by you.



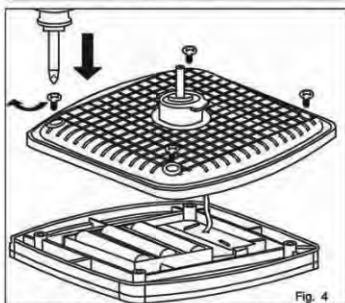
1. Turn the solar panel counterclockwise then take it off the umbrella as shown in Fig.1.



2. Remove the solar panel plastic case from the top of the umbrella. Put the plastic case upside down on a flat, non-abrasive surface to avoid scratching. Loosen all four(4) screws on the plastic case as shown Fig.2.



3. Carefully open the plastic case and put the bottom aside of the main case as shown in Fig.3. Replace the batteries, align the + / - of the batteries as marked on the battery case.



4. Carefully put the bottom of the plastic case back to the main plastic case, align the screw holes and tighten all four (4) screws as shown in Fig.4. Attach the solar panel plastic case back to the umbrella and re-charge the batteries under the sunlight. Your solar light umbrella is ready to use again.

Do not mix old and new batteries. Do not mix alkaline, standard (carbon-zinc), or rechargeable (Ni-Cd, Ni-MH, etc) batteries.

