



KID'S ADIRONDACK CHAIR

ASSEMBLY INSTRUCTION

ITEM#: JC0802A

SKU#: 810587595

Need help? We are here for you!

1-800-935-3959 Toll Free or email us at support@teamson.com

GENERAL BEST PRACTICES FOR ASSEMBLY:

Read all instructions before starting

Clear a flat covered space to begin

Always best to do it with a friend

Note that hardware required is provided for every step

Pay attention to orientation

Letter of the part corresponds to a sticker on the product

Number of the hardware corresponds to its letter in the package

Helpful hints provided along the way

WARNINGS:

Use the correct screws as indicated. All screws should be hand tightened until the complete piece is assembled (This will make the assembly process much easier). Once the piece is fully assembled, then go back and tighten all screws with provided tool. Keep all children and pets away from assembly area. Children and pets should be supervised when they are in the area of the product construction. Keep assembly area at least 6 feet from any obstruction such as a fence, garage, house, overhanging branches, laundry line or electrical wires. Some parts may contain sharp edges.

When assembling and using this product, basic safety precautions should always be followed to reduce the risk of personal injury and damage to the product. Please read all instructions before assembly and use.

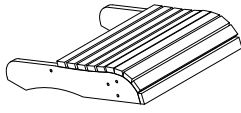
The chair is not to be used for standing purposes. Use on even surfaces only.

The chair is used at weight of 110lbs (50kg). Improper use of this product or failure to use as directed may result in injury. Not intended for commercial use.

MAINTENANCE:

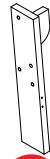
Before using, clean the product completely with a soft dry towel. Screws will be loosened over a period of usage, please check the screws occasionally and re-tighten if necessary.

PARTS LIST



A

x1
Seat



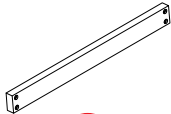
B

x1
Left front leg



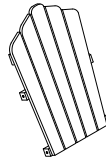
C

x1
Right front leg



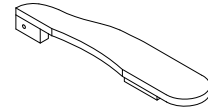
D

x1
Front cross bar



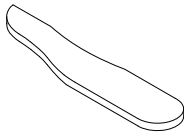
E

x1
Back



F

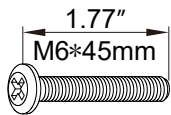
x1
Left arm



G

x1
Right arm

HARDWARE LIST



1

x8
Machines screw



M6

2

x8
Hexagon Nut



M6*12mm

3

x8
Screw washer



M6

4

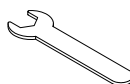
x4
Barrel Nut



Ø4*35mm

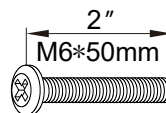
5

x4
Taping-Self Screw



6

x1
Wrench

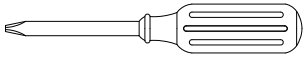
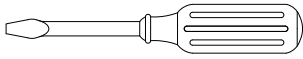


7

x4
Machines screw

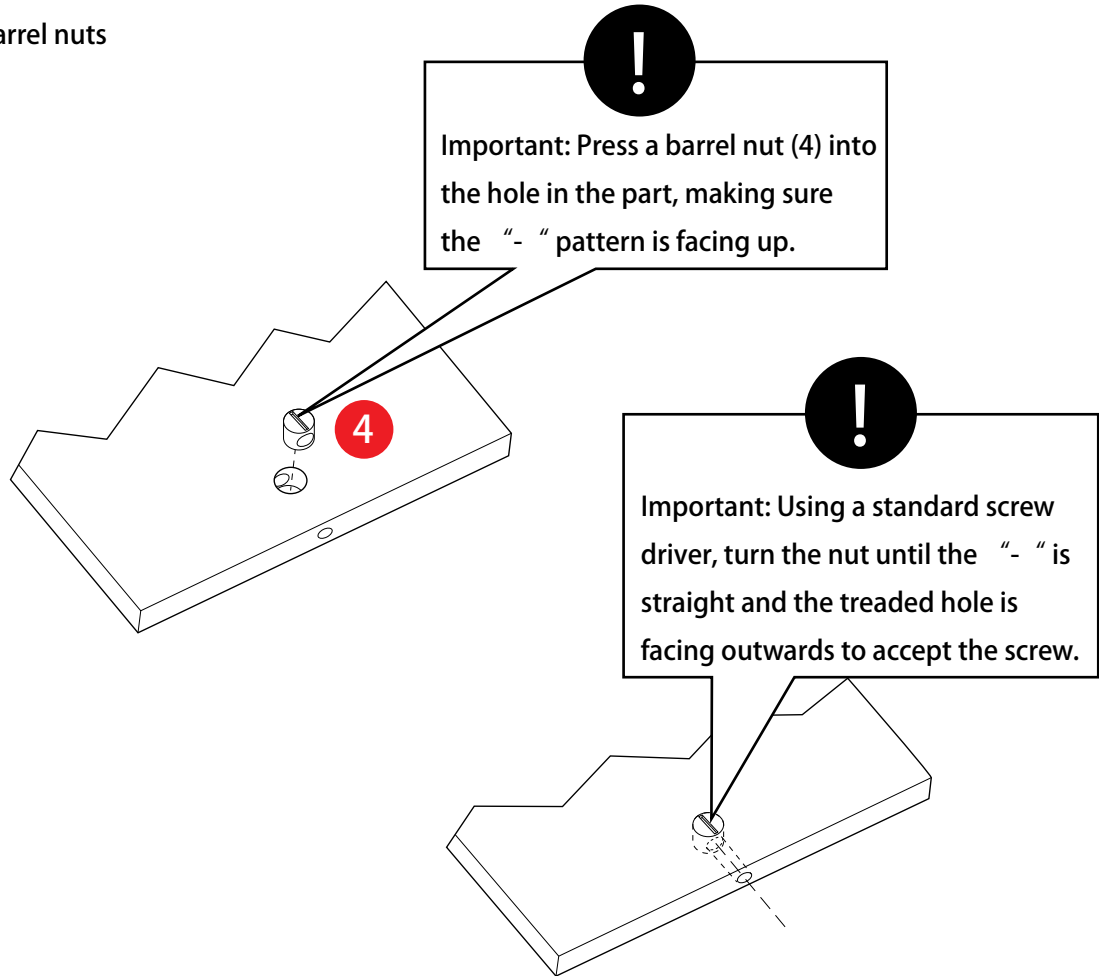
HELPFUL HINTS

- Tools needed, but not included:



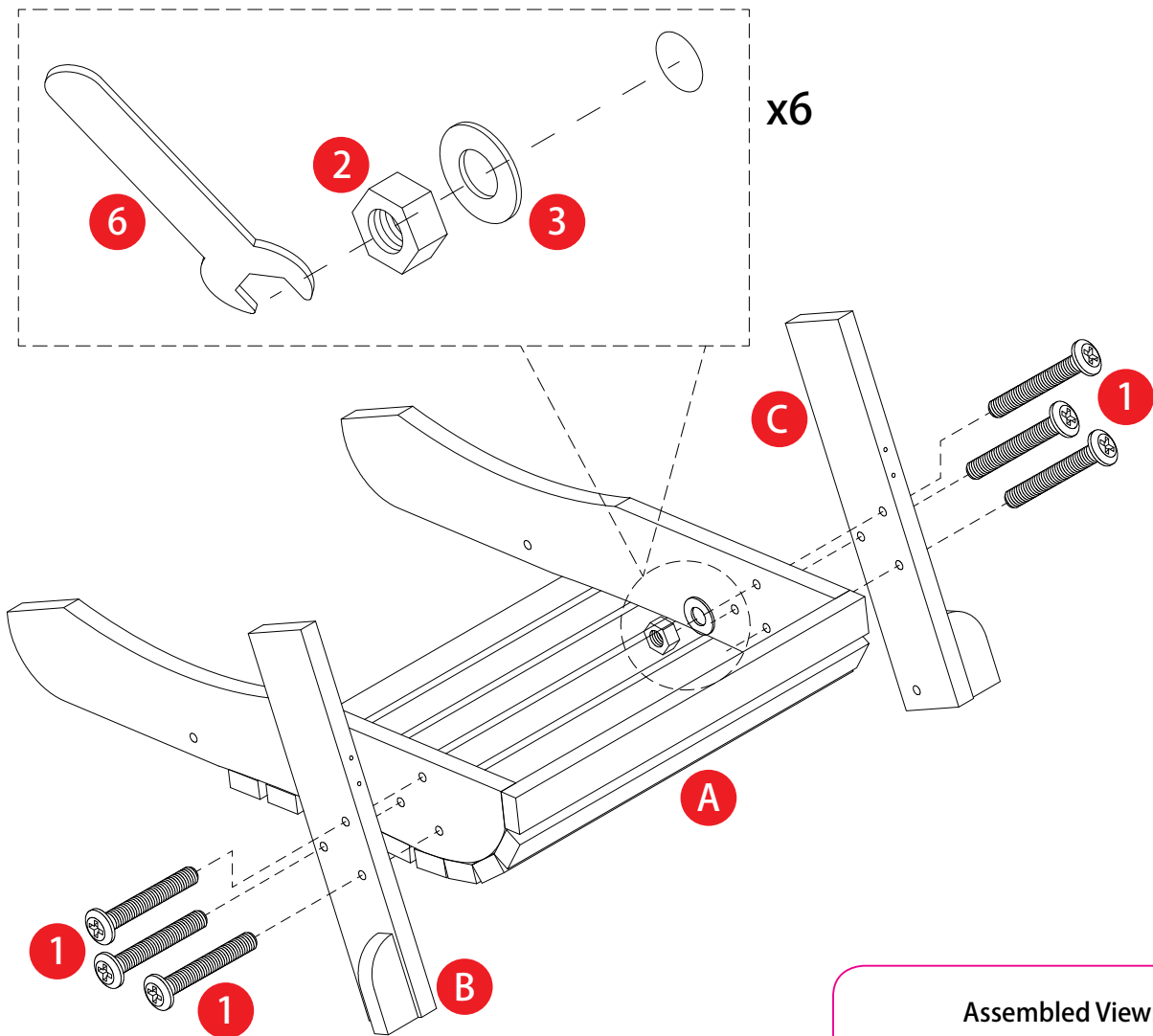
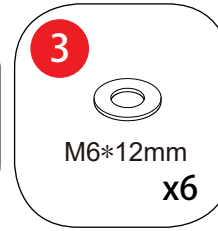
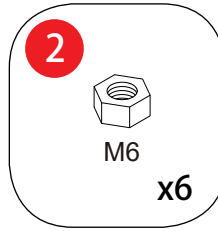
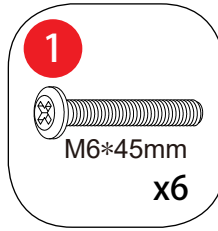
- Separating parts before starting

How to install barrel nuts

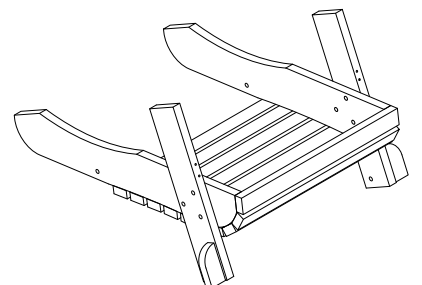


STEP 1

Attaching left front leg (B) and right front leg (C) to seat with 6 x part (1) and 6 x part (2) and 6 x part (3) and wrench (6)



Assembled View:



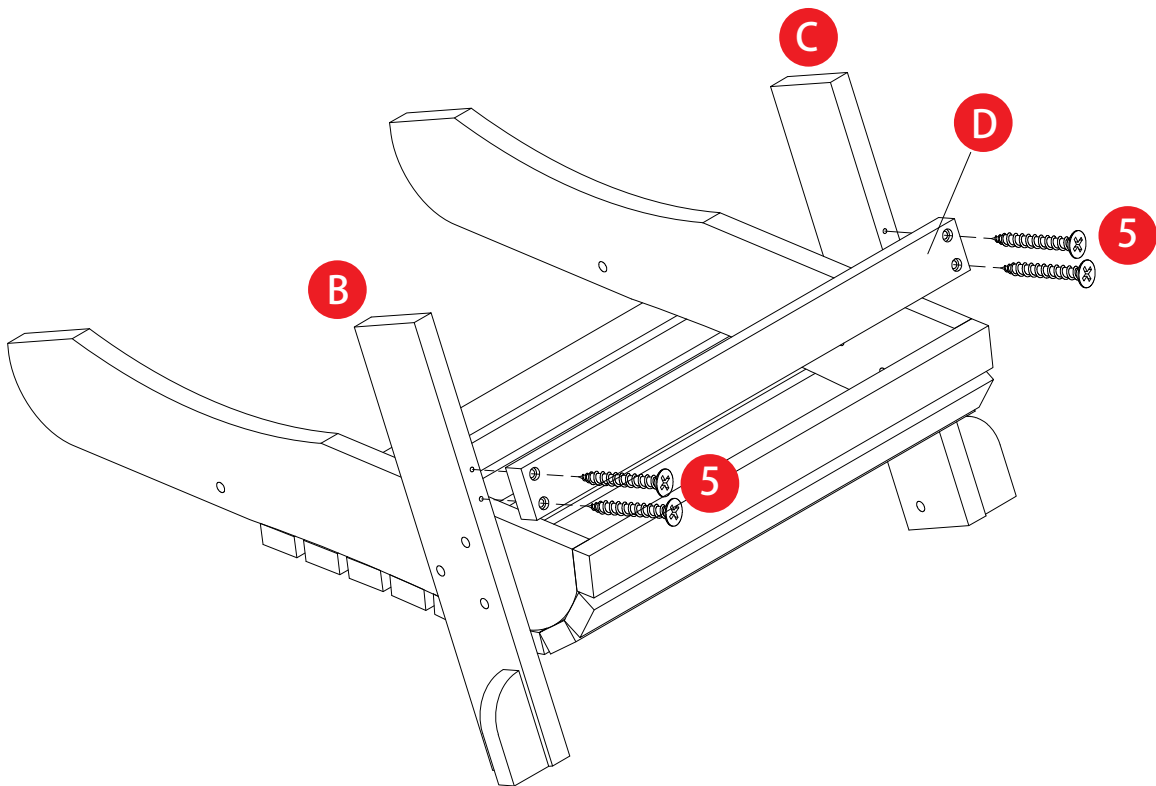
STEP 2

Attaching front cross bar (D) to legs with 4 x part (5)

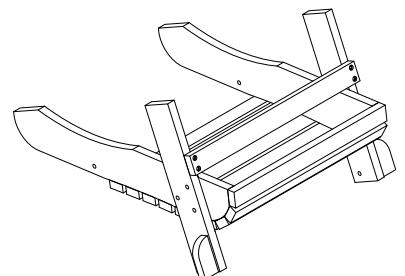
5



Ø4*35mm
x4

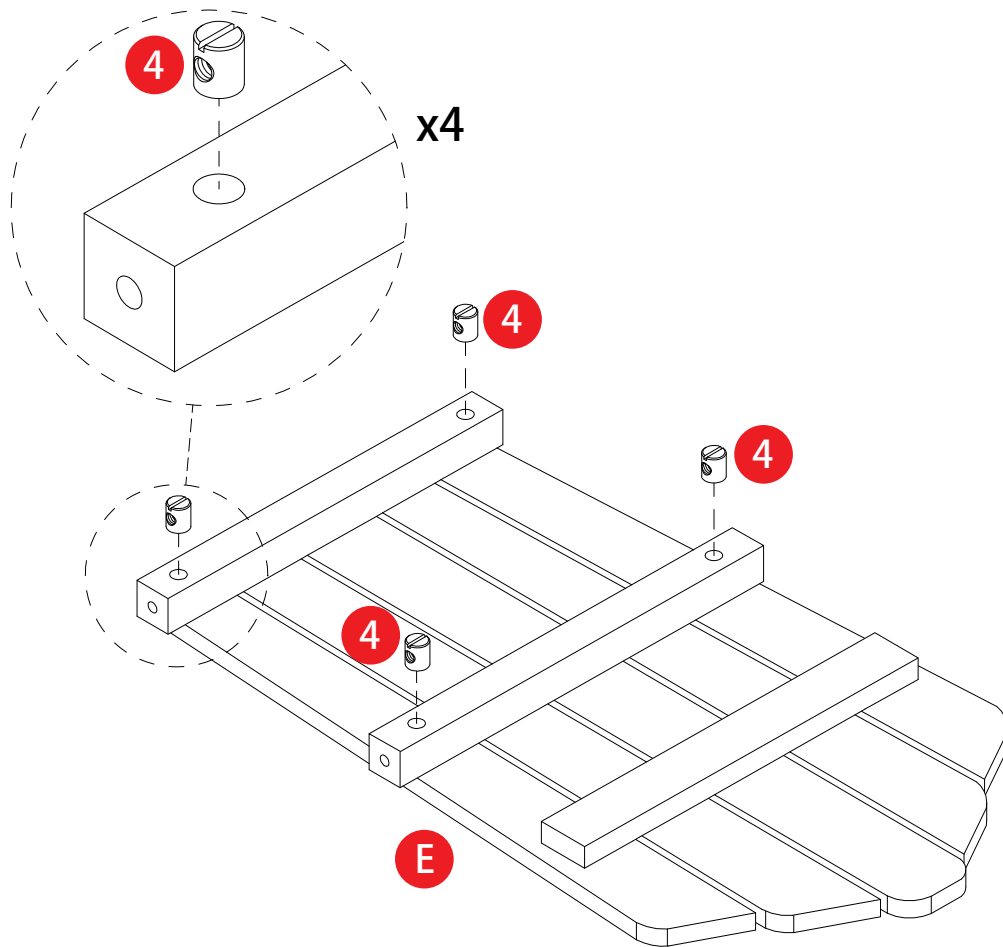


Assembled View:

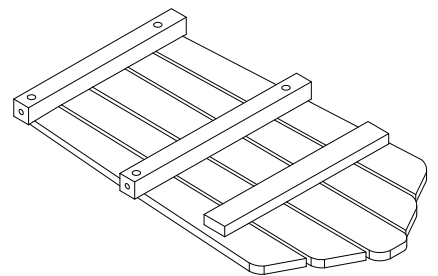


STEP 3

Put 4 x part (4) into the hole of back (E), Make Sure the "-" is aligned up the hole

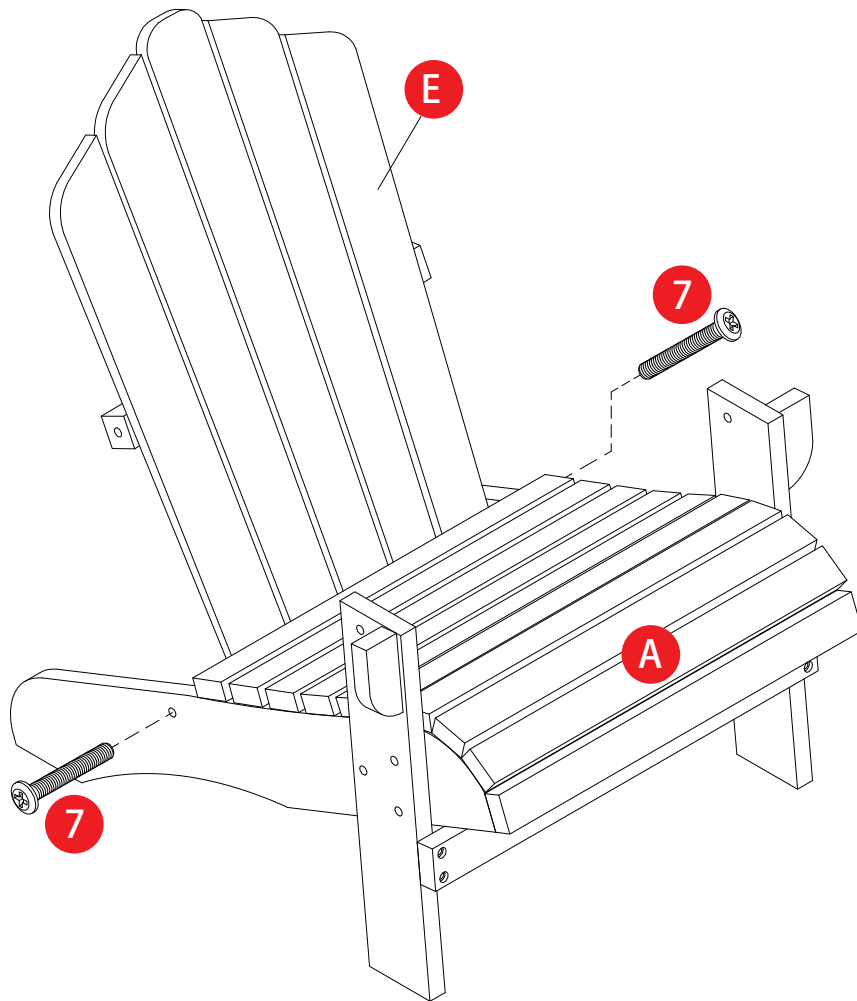
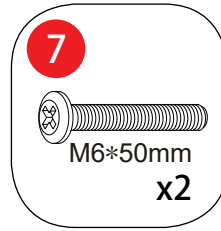


Assembled View:

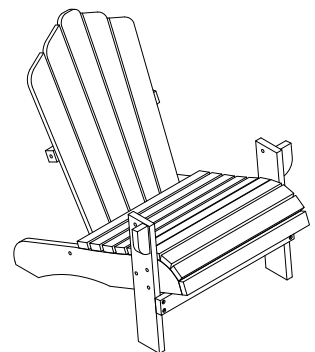


STEP 4

Attaching chair back (E) to seat (A)
with 2 x part (7)

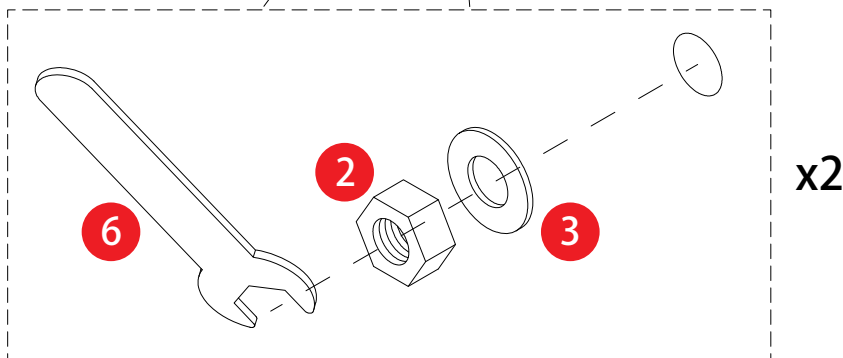
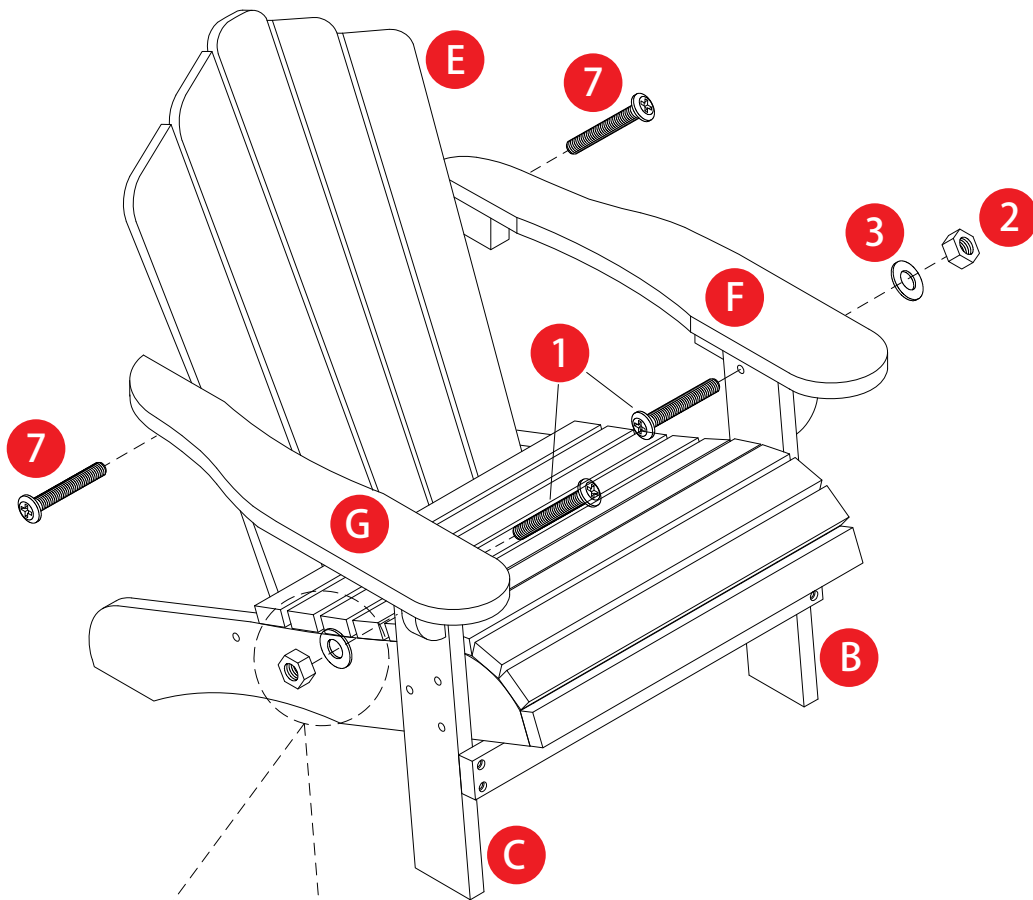
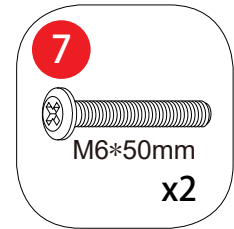
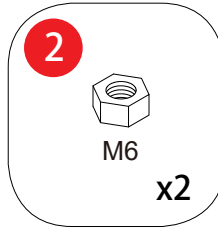
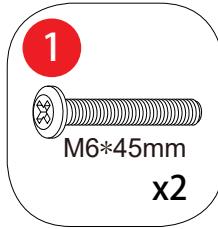


Assembled View:



STEP 5

Attaching left arm (F) and right arm (G) to chair back and legs with 2 x part (1) and 2 x part (2) and 2 x part (3) and wrench (6) and 2 x part (7)



Assembled View:



STEP 6



Made in China