

SKU: 810584158
MODEL: 52098-BLU

GAMER GEAR™



3D INCITE GAMING CHAIR ASSEMBLY INSTRUCTIONS



GEAR UP AND GAME.™

GAMER GEAR is a trademark of Living Style (Singapore) Pte. Limited.

Chair Assembly Instructions

Carefully unpack all parts and identify them against the parts list before attempting to assemble. To avoid scratching the components, assemble the chair on a protected surface.

Note:

1. Do not stand on the seat cushion.
2. Do not allow children to play on or near this product.
3. For indoor use only. Please do not expose to direct sunlight, sources of excessive heat, or use in wet or damp environments.
4. Only a damp cloth should be used to clean the upholstery surface. For persistent stains and overall cleaning, contact a professional upholstery cleaning company.
5. The casters sold with this chair are intended for use on carpet and not recommended for use on tile or hard wood floors. Using these casters on tile or wood flooring may cause floor surface damage, so please consider purchasing a chairmat to protect your floor surfaces.
6. Do not use power tools. Only use the Allen Key provided. Check and re-tighten screws and knobs every 90 days.

We are here to help if you have any questions, comments, or are in need of warranty replacement parts.

Log on to: **www.trueinnovations.com**

Or call us toll free at: **1-800-379-9773** (US)
(Monday - Friday 6:00 am – 5:00 pm Pacific Time)



PARTS

A



Casters x5

B



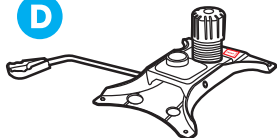
Base x1

C



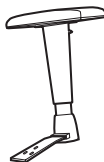
Gas Lift with Telescoping Cover x1

D



Seat Plate x1

E1



Left Arm x1

E2



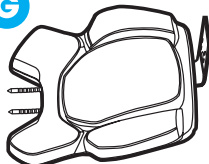
Right Arm x1

F



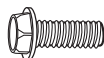
Seat Cushion x1

G



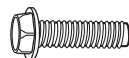
Back Cushion x1

H



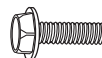
25 mm Big Screws x2

I



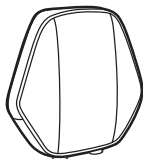
32 mm Big Screws x6

J



25 mm Small Screws x6

K



Headrest x1

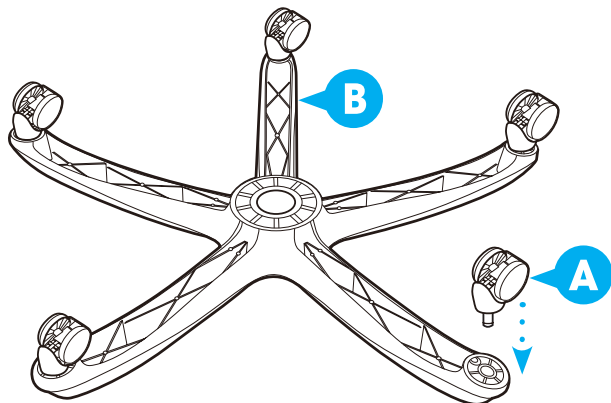
L



Allen Key x1

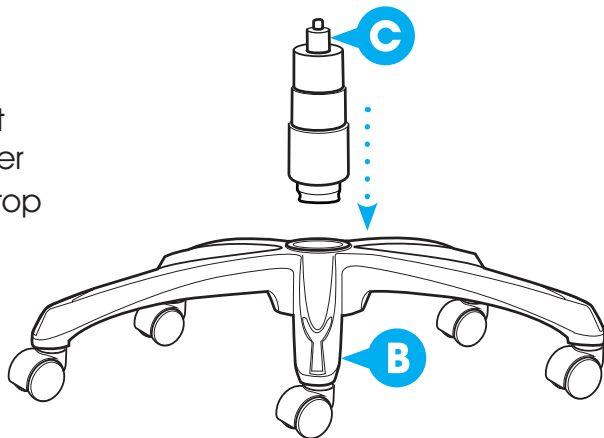
1

Place the base **(B)** upside down and insert 5 casters **(A)** into the holes on the base **(B)**.



2

Turn the base **(B)** over and insert the gas lift with telescoping cover **(C)** through the center hole on top of base **(B)**.

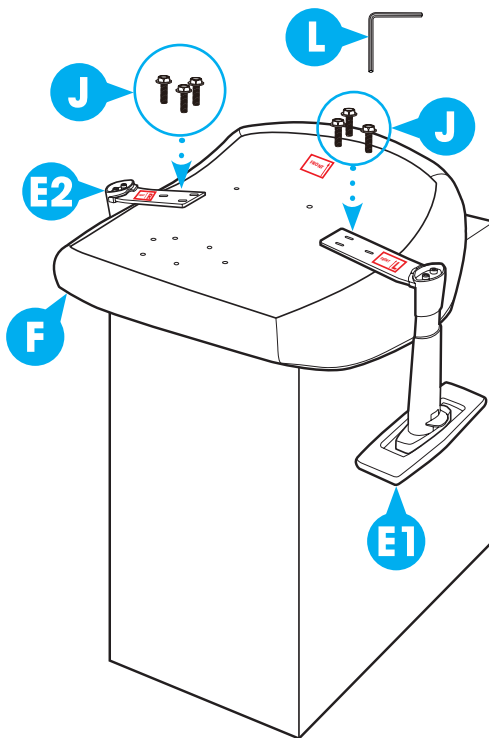


3

3

Tighten the brackets of arms (**E1 & E2**) onto the bottom of the seat cushion (**F**) (with front of arms facing the front of seat cushion) by using 25 mm small screws (**J**).

Note: Tighten the screws completely.

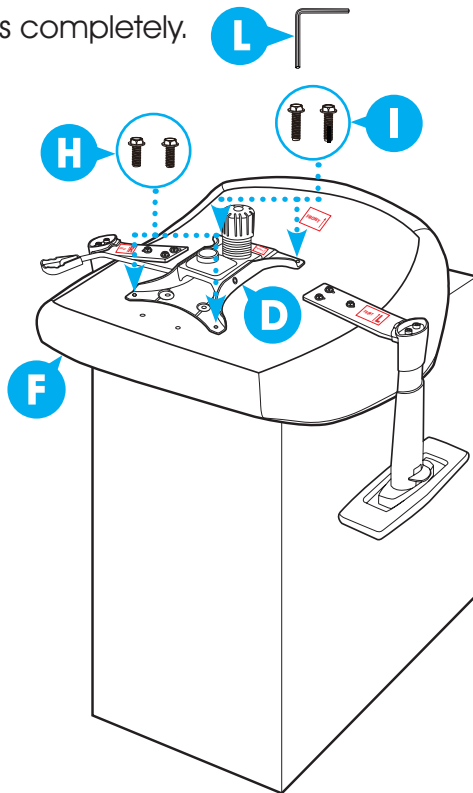


4

4

Attach seat plate **(D)** to the bottom of the seat cushion **(F)** (with the front of the seat plate facing the front of seat cushion). Attach by using 32 mm big screws **(I)** for the front holes of the seat plate **(D)** and 25 mm big screws **(H)** for the rear holes of the seat plate **(D)** and tighten screws.

Note: Tighten the screws completely.

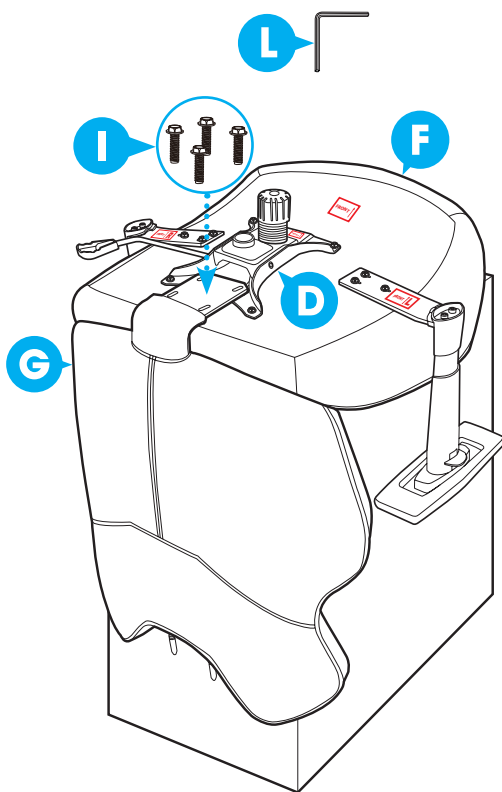


5

5

Align the back cushion (**G**) with the seat cushion (**F**) by positioning the back support plate over the seat plate (**D**) with 32 mm big screws (**I**).

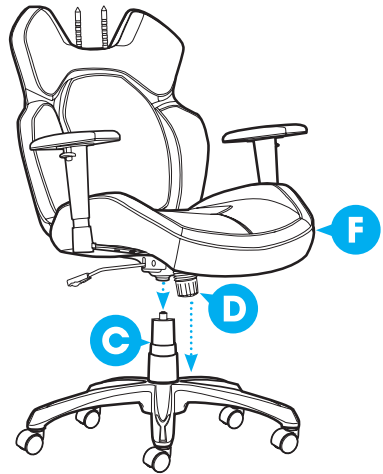
Note: Tighten the screws completely.



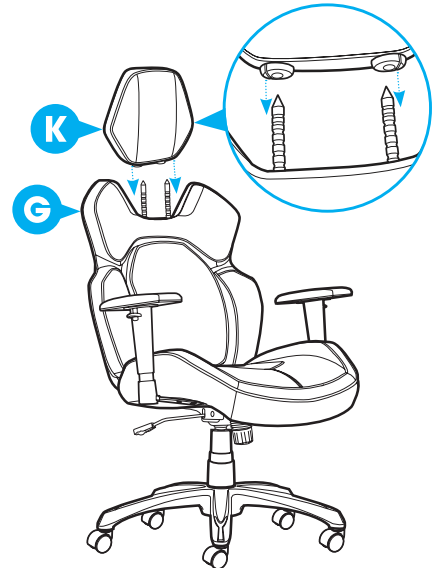
6

6

Position the assembled chair upright with the seat plate facing down. Insert the gas lift **(C)** into the center hole of the seat plate **(D)**. Push down firmly over the gas lift **(C)** until it is securely connected.

**7**

Hold the headrest **(K)** and then insert it to the top of the back cushion **(G)**. A click sound will be heard when fastened correctly. Do not pull out the headrest after it is installed.

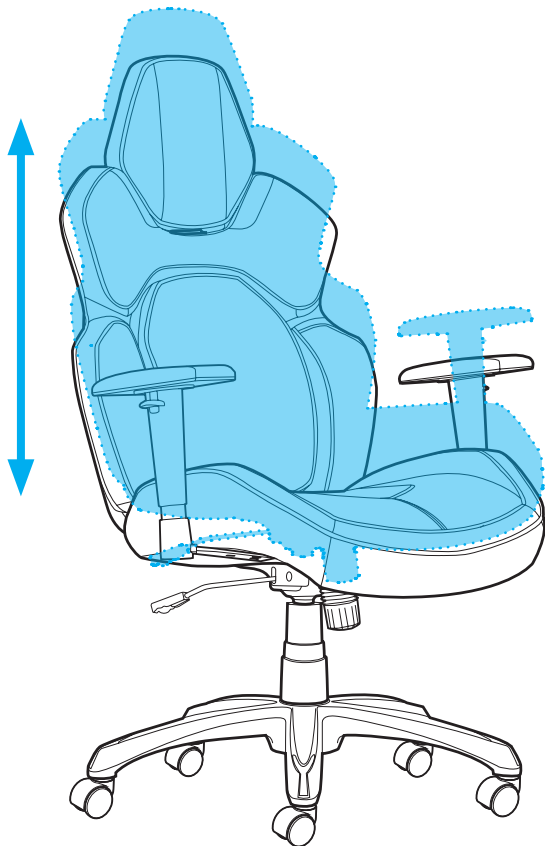


Operating Instructions

Function Instruction - 1

To Adjust Seat Height:

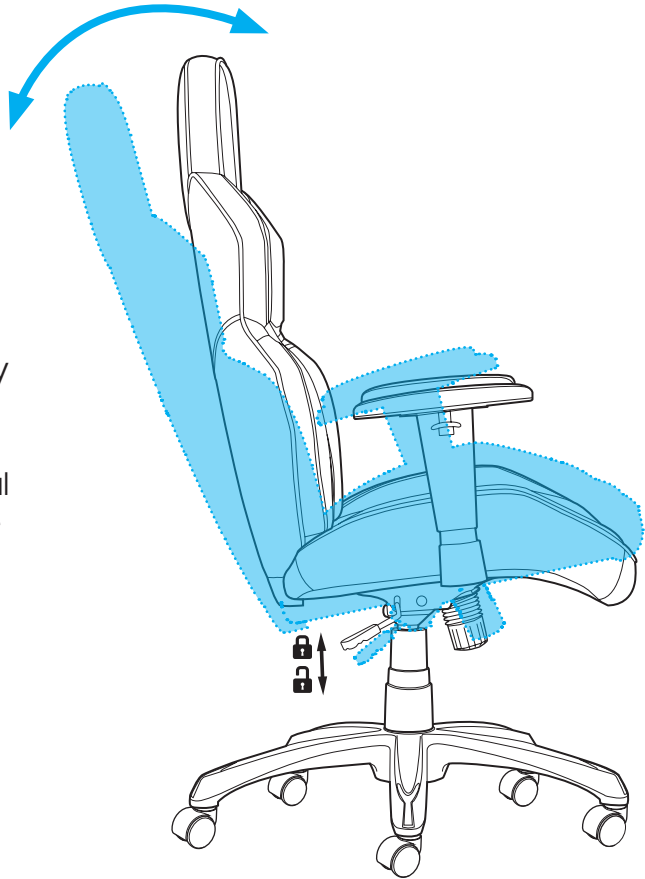
While seated, lean forward and reach under the right side of the chair to find the handle. Lift the handle and raise your body up slightly to allow the chair to rise to the desired height. Once desired height is reached, release handle to lock chair at desired height. To lower the seat, lift the handle while seated. The chair will descend until the handle is released or the chair reaches the bottom position.



Function Instruction - 2

To Operate Tilt Lockout:

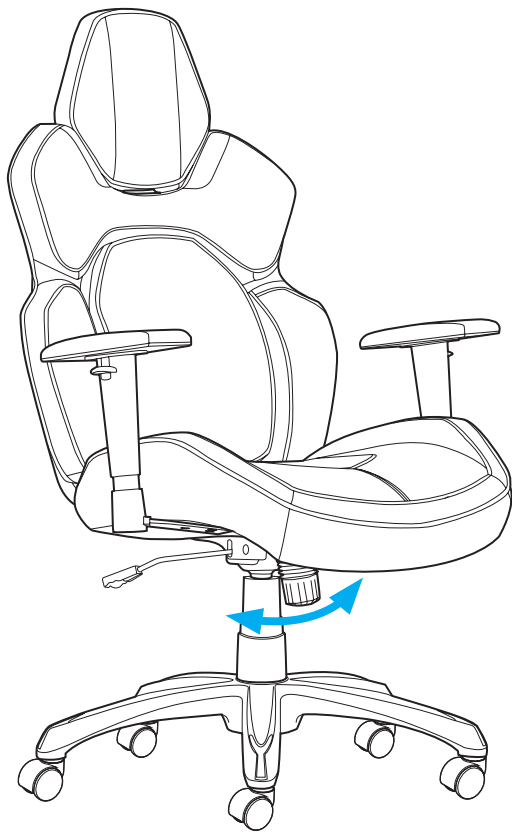
While seated, reach under the right side of the chair to find the height-adjustment handle. Pull the handle all the way out (away from the gas lift) to allow the chair to tilt backwards. To lock the chair in the upright or vertical position, sit upright and push the handle in towards the gas lift.



Function Instruction - 3

To Adjust Tension on the Tilt:

Reach under the front center of chair seat and grasp the round black knob. To loosen the tilt mechanism, turn the knob clockwise. This lessens the effort required to rock back and forth. Rotate the knob until desired resistance is reached.



Function Instruction - 4

To Activate 3D Motion Support:

While seated, the 3D lumbar can dynamically provide continuous support by connecting with your body's natural movement. The 3D lumbar conforms to the curve of your spinal cord and is intended to relieve your back from stress.



Function Instruction - 5

To Adjust Headrest Height:

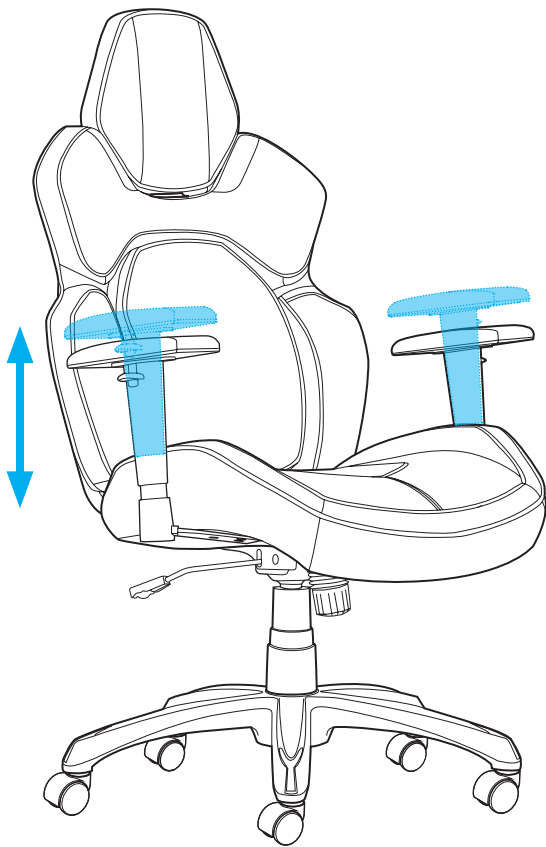
Hold the headrest and pull upward. Pull the headrest to move up or down freely, the headrest will lock in place when you stop raising it. Don't pull the headrest hard when it reaches the top.



Function Instruction - 6

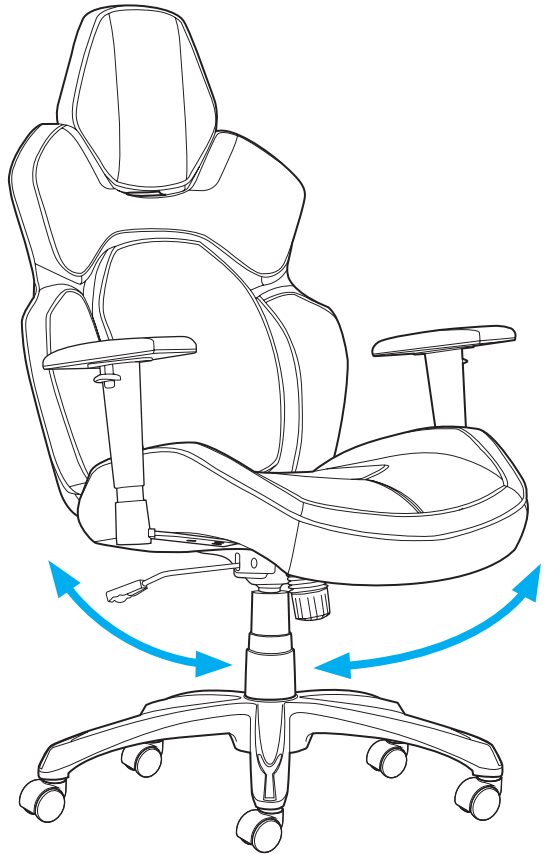
To Adjust Arm Height:

Pull up the buttons and hold to allow the arms to move up and down freely and then release the button once the desired height is reached.



Function Instruction - 7

360° Swivel:
360° seat swivel.



Limited Warranty

True Innovations seating products are warranted against defects in material and workmanship while owned by the "Original Purchaser". The term "Original Purchaser" is defined as that party or entity which purchases True Innovations furniture from an authorized True Innovations retailer as shown by the original sales receipt. This warranty does not apply to "as is" or previously owned seating products.

True Innovations warrants its products to be free from defects in materials and workmanship (normal wear and tear, fading and stretching excepted) for one year from the date of purchase, except as provided below under the limited warranty.

The exceptions or exclusions to this warranty are as follows:

- 1.** Upholstery material and foam cushion material is warranted against defects in material and workmanship for a period of one year, beginning on the date of purchase as shown on the original sales receipt.
- 2.** Any warranty claim that is submitted after the limited warranty period, or without proper proof of purchase, will not include the cost of parts, labor or delivery.
- 3.** This warranty shall not apply to the True Innovations products which have been subjected to misuse, neglect, alteration, modification or attachments either caused by the original purchaser, shipping, storage, accident, fire, flood or acts of God.

In the event of a defect in material or workmanship covered by this warranty, True Innovations will repair or replace, at their discretion, without charge the warranted furniture within a reasonable amount of time. We reserve the right to require damaged parts to be returned to us upon request. Natural markings such as scars, brands, grain variations, wrinkles, color variations, etc. will be considered normal characteristics and not construed as defects. We cannot warrant leather against scratching or scuffing, as all leather is subject to blemishes with use.

For claims or questions concerning this warranty, please contact True Innovations Customer Service department on the web at www.trueinnovations.com. Be prepared to provide your name, address, daytime phone number, the model and purchase order number of the product, date of purchase, and the store where it was purchased. True Innovations requires that the original sales receipt be submitted with all requests to confirm that you are the original purchaser according to our written warranty.

This warranty gives you specific rights, and you may also have other rights, which vary from state to state.

All warranties are limited to the original purchaser for normal use by a person weighing less than **125 kg / 275 lb.**