

## **COLUMBUS 4PC SEATING SET**

### **ASSEMBLY INSTRUCTIONS**

ITEM#: HUC39509 & HUC39508 & HUC37891  
SKU# 810580569

If you have any questions, please e-mail: [service@gardintl.com](mailto:service@gardintl.com)

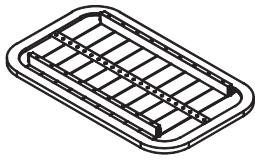
## **ASSEMBLY INSTRUCTIONS**

- \* Before assembling, make sure that you lay out and identify all parts listed in the parts list.
- \* Keep children away during assembly. This item contains small parts which can be swallowed by children.
- \* All bolts should be hand tightened before use. Never use power tools or excessive force during assembly and tightening of bolts.
- \* Please place the chair on a flat protected surface during assembly.
- \* Before you tighten all screws, make any necessary adjustments on all legs.
- \* Should you experience any difficulty during assembly or if any parts are missing or damaged, contact service center.

## **CAUTION:**

- \* Do not stand on chair or use as a step ladder.
- \* For optimum safety, use on even surface only!
- \* Improper use of this product or failure to use as directed can result in injury.
- \* Not intended for commercial use.
- \* Single chair tested for use at weight of 352lbs
- \* Double chair tested for use at weight of 705lbs
- \* Table tested for use at weight of 165lbs

## PARTS LIST



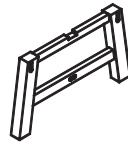
A

x1



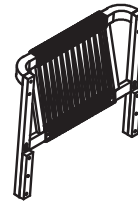
B

x1



C

x2



D

x2

BACK LEG FRAME



E

x3

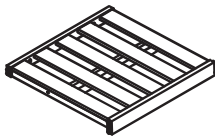
RIGHT LEG



F

x3

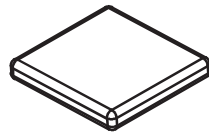
LEFT LEG



G

x2

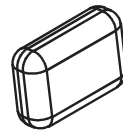
SEAT



H

x4

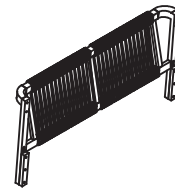
SEAT CUSHION



I

x4

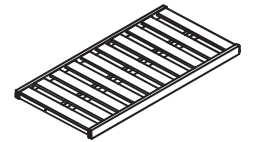
BACK CUSHION



J

x1

BACK LEG FRAME



K

x1

SEAT

## HARDWARE LIST



1

x2

M6X50



2

x4

M6X70



3

x2



4

x6

M7X70



5

x6

M7X60



6

x6

M7X50



7

x6

M6X40

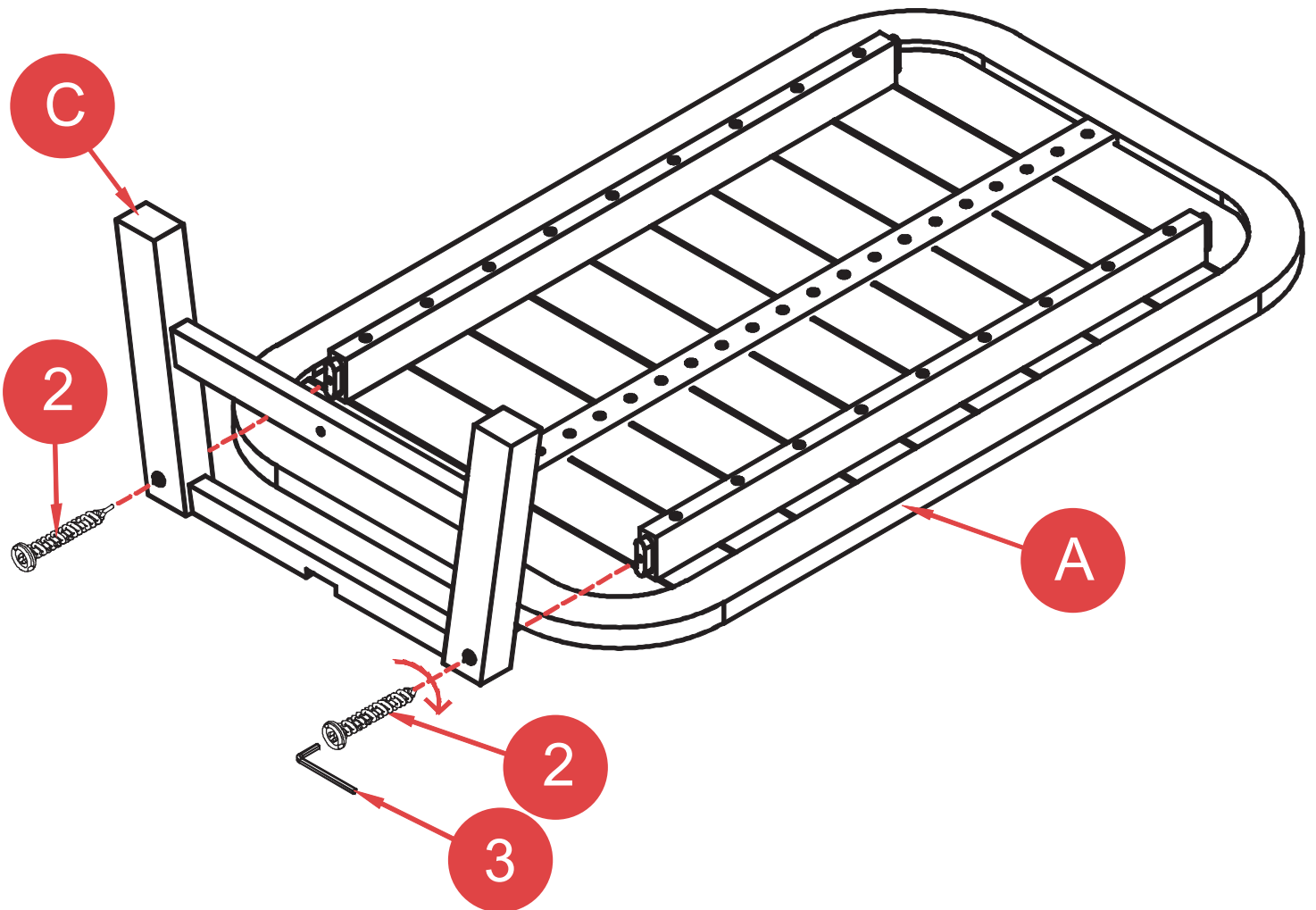
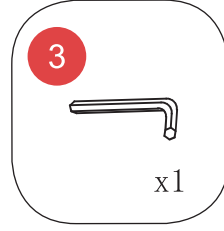
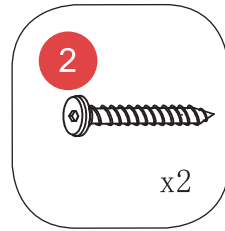
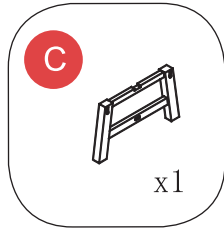
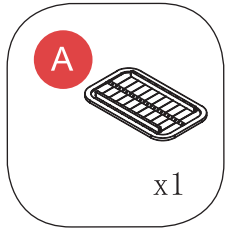


8

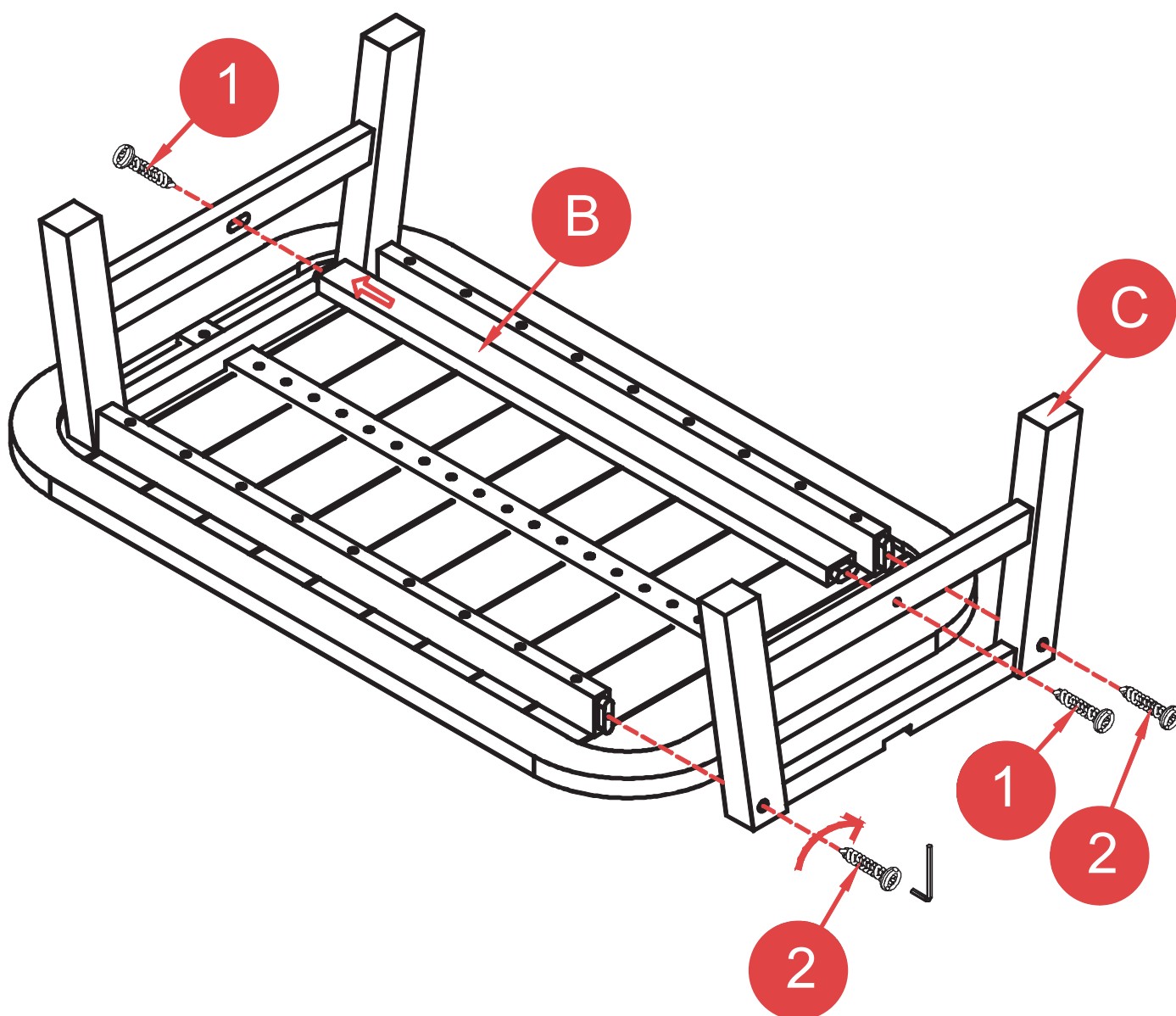
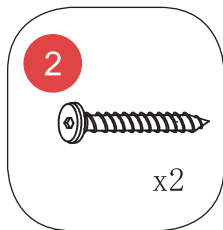
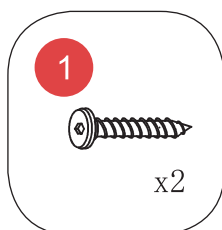
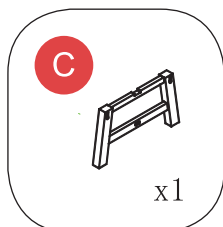
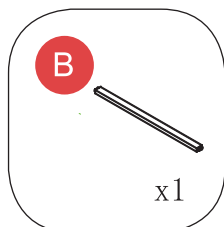
x8

M6X50

# STEP 1 - TABLE

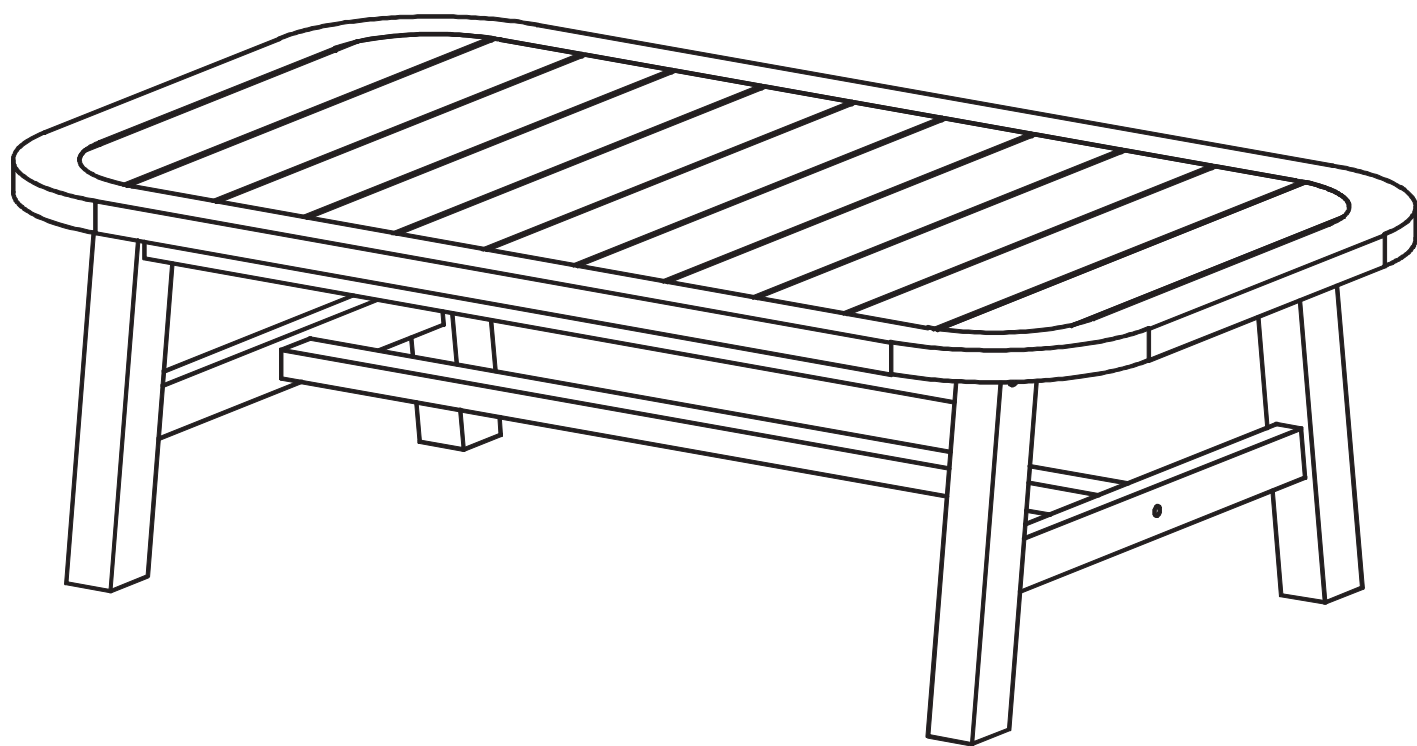


## STEP 2 - TABLE

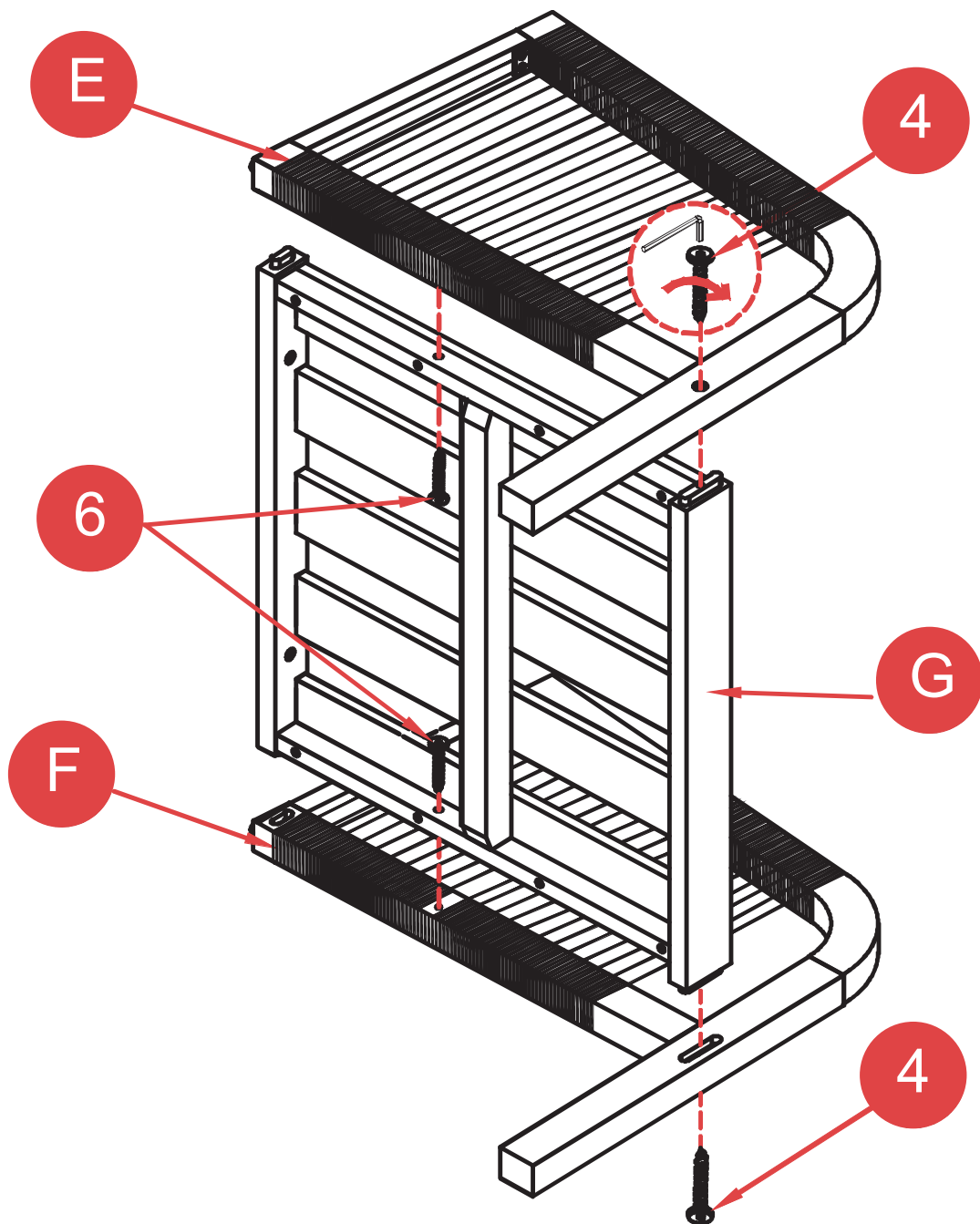
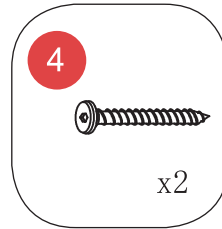
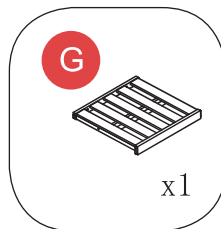
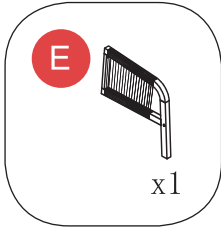


## FINISHED - TABLE

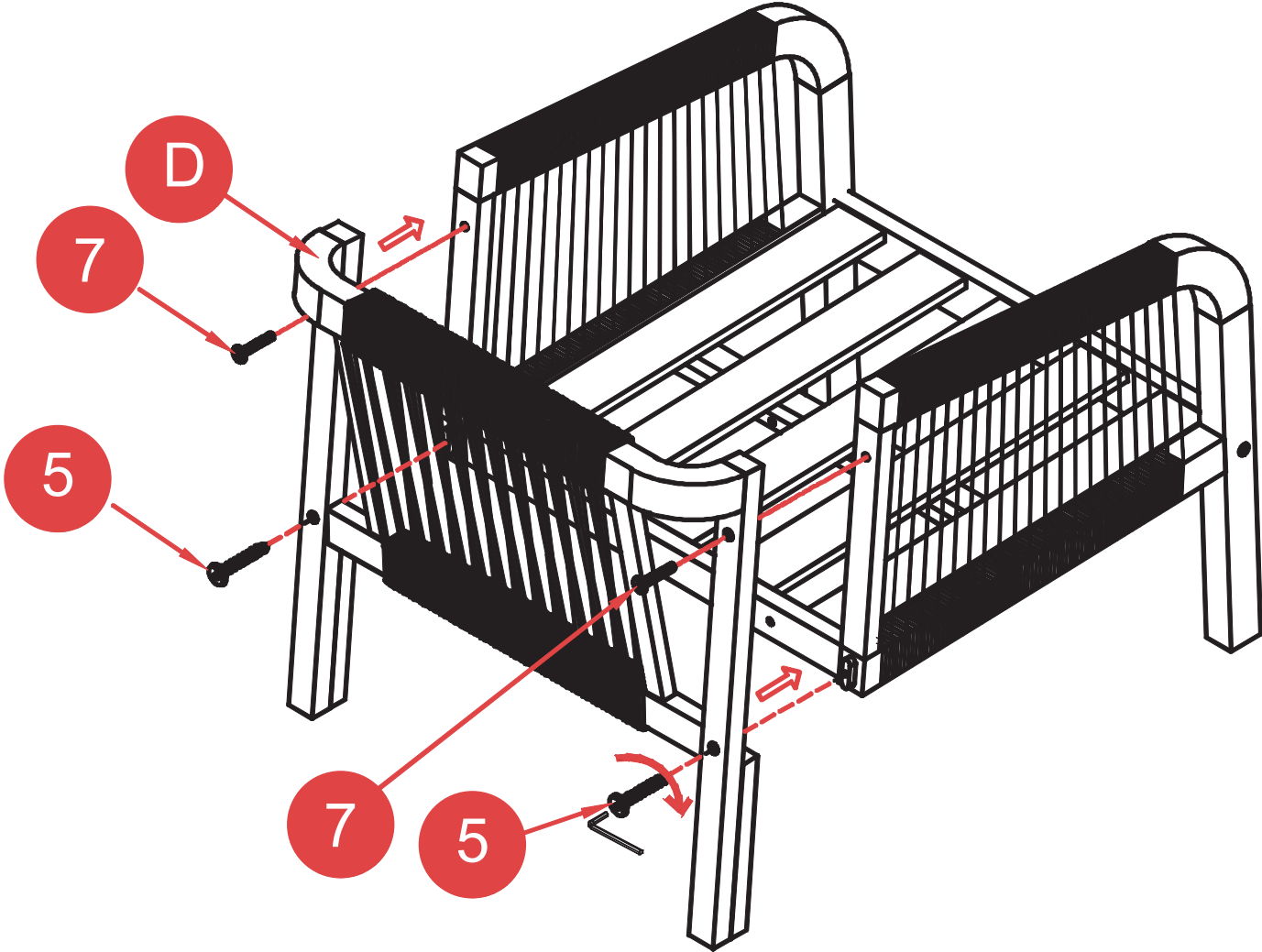
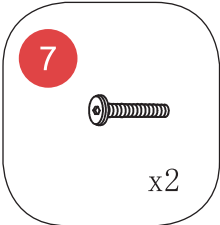
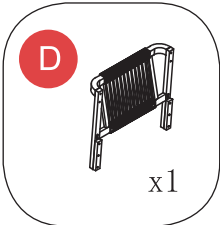
**FINISHED**



## STEP 4- SINGLE CHAIR

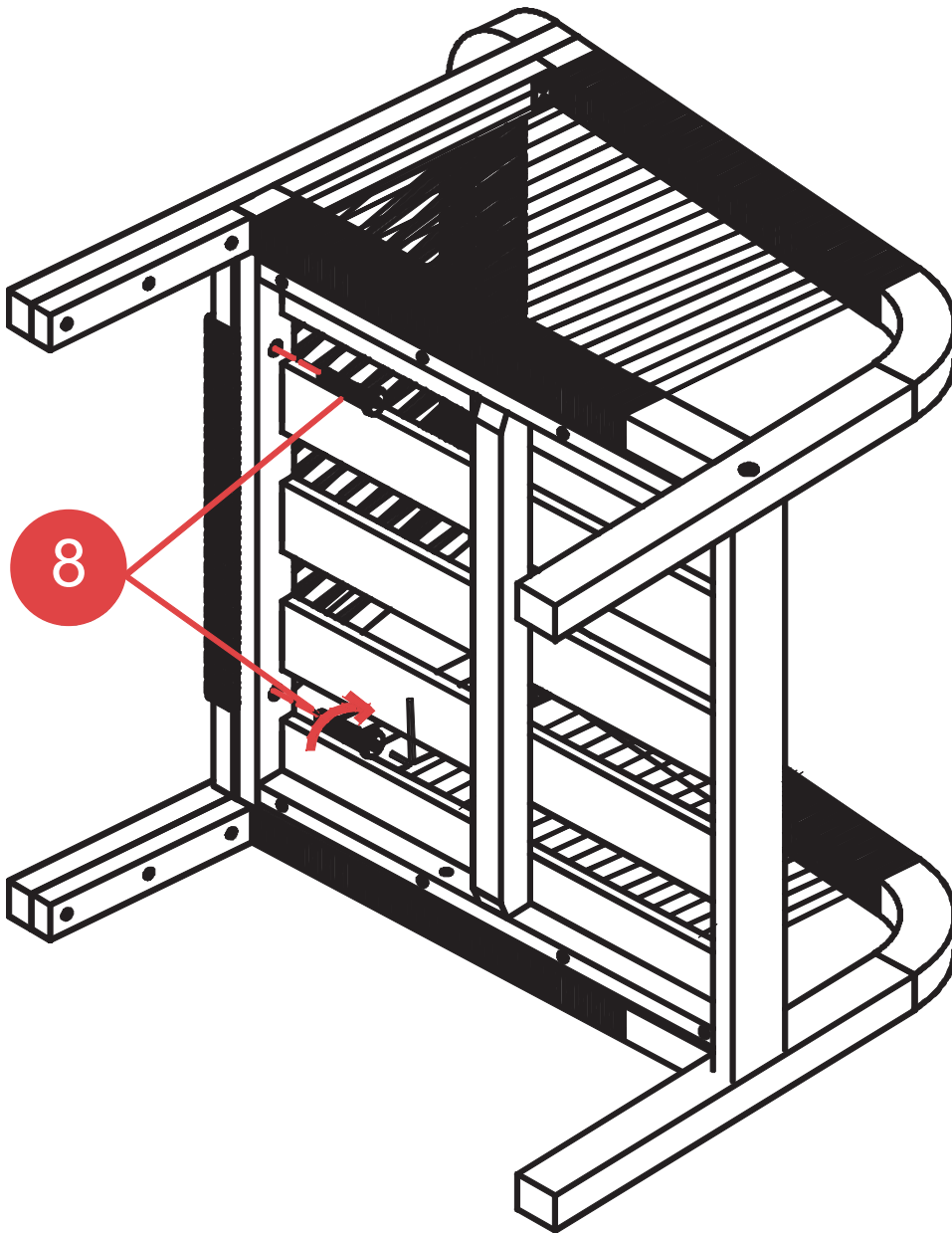
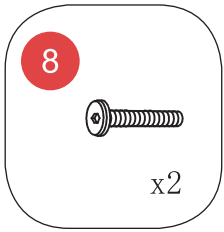


STEP 5 - SINGLE CHAIR

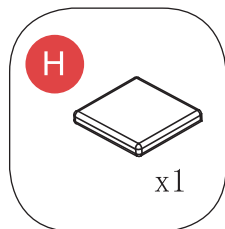
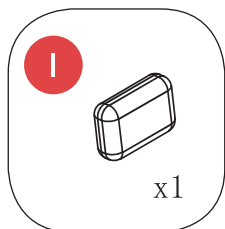




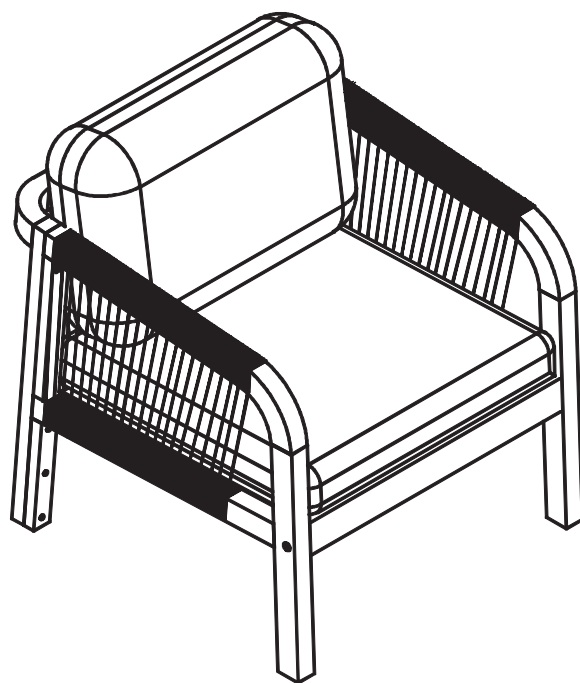
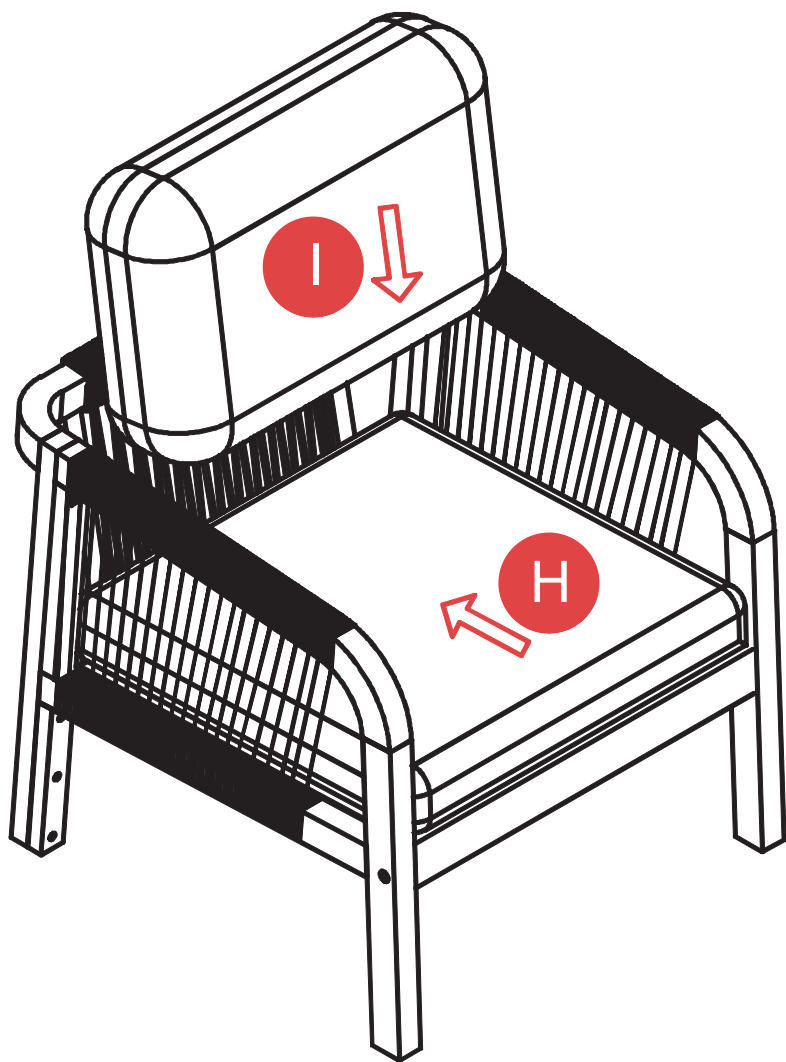
## STEP 6 - SINGLE CHAIR



## FINISHED - SINGLE CHAIR

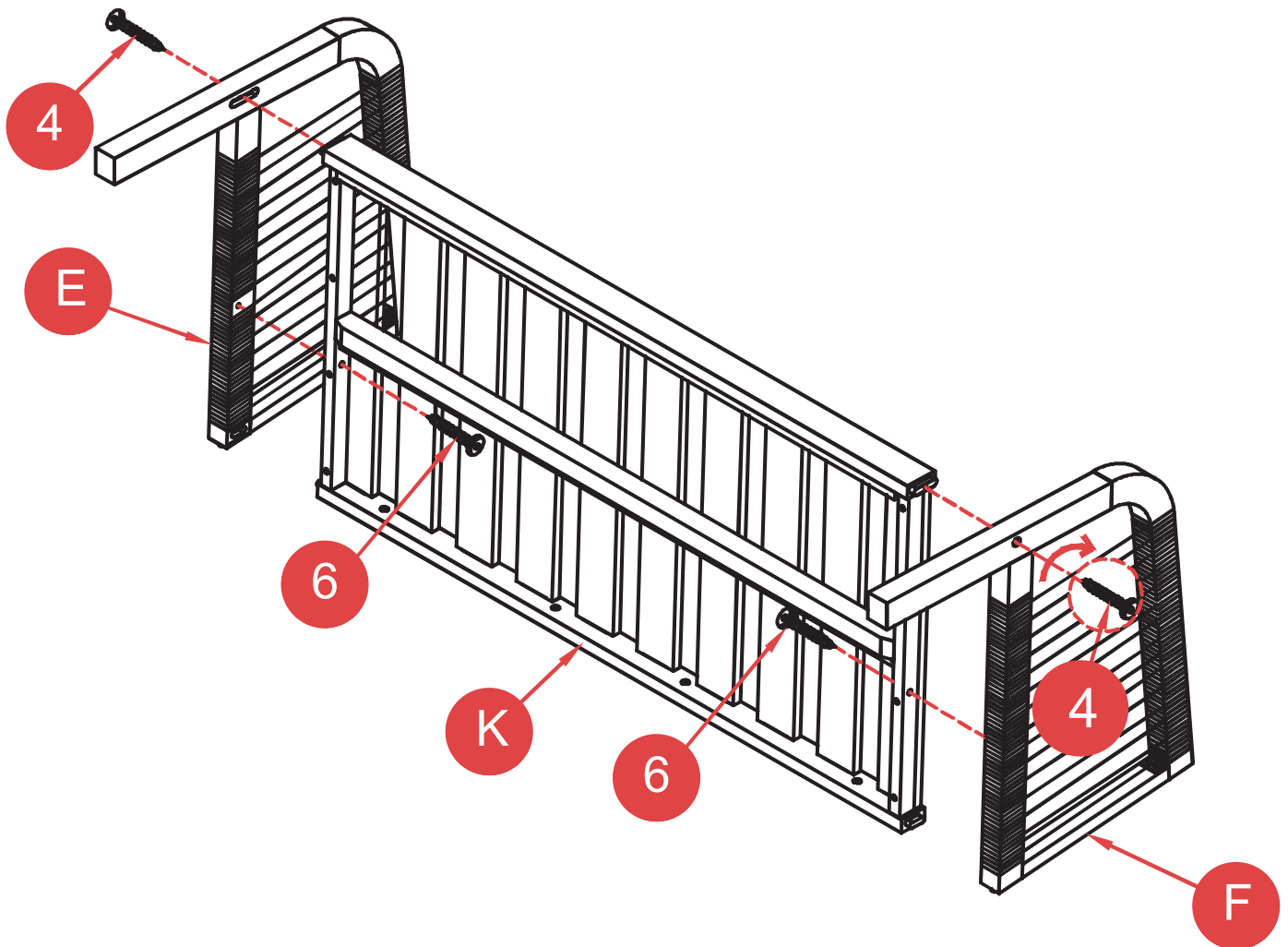
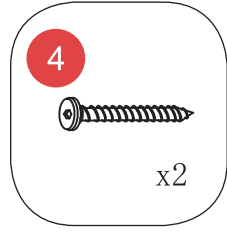
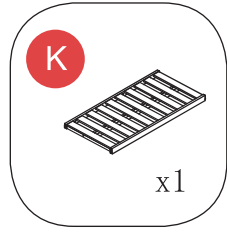
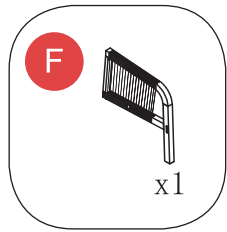
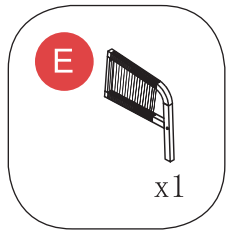


**\*\*Repeat step 4~7 to assemble the other chair.**

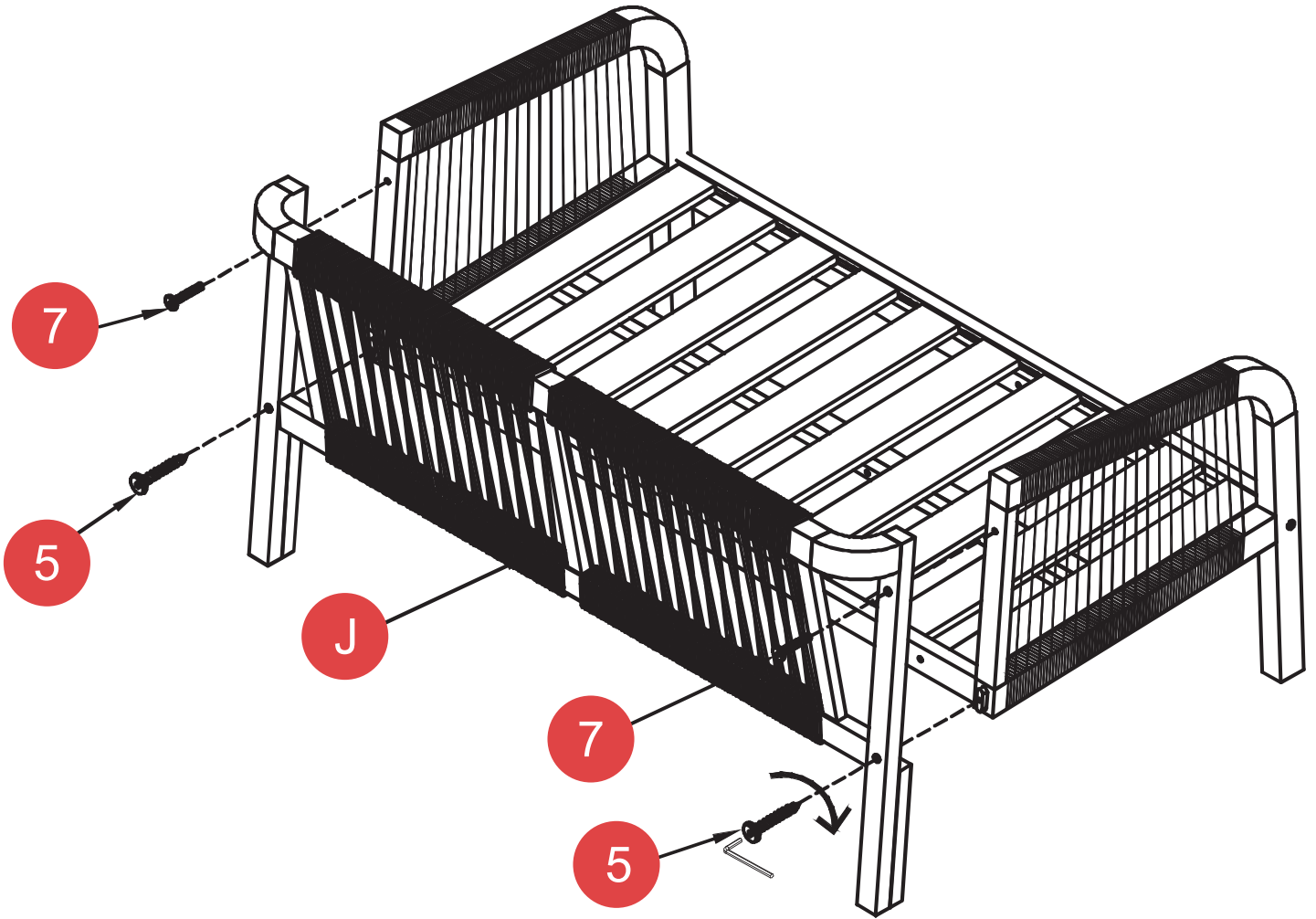
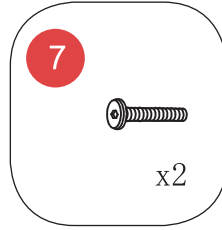
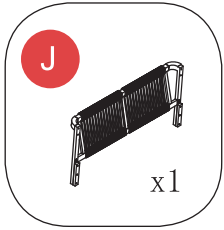


**FINISHED**

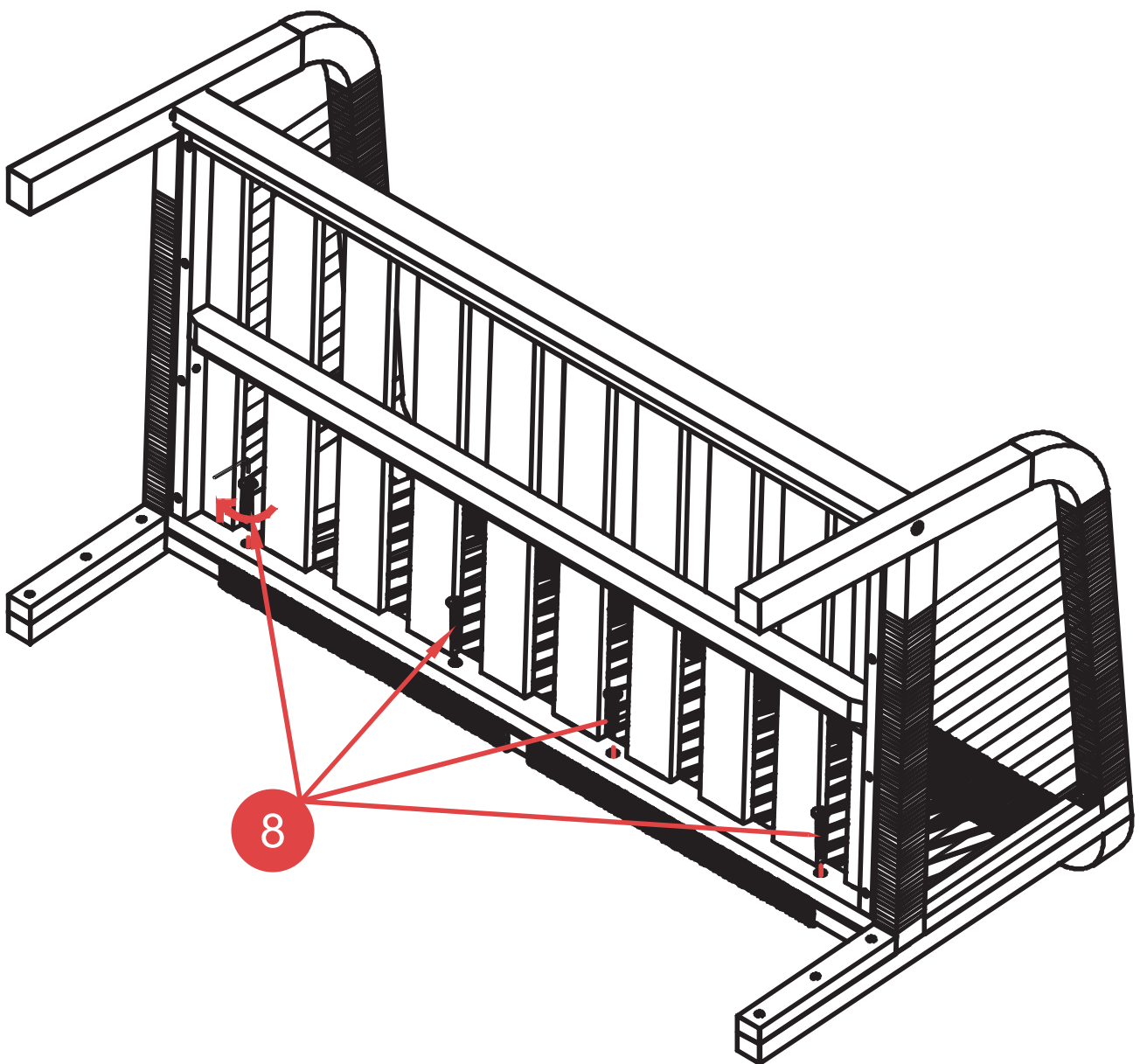
# STEP 8 - DOUBLE CHAIR



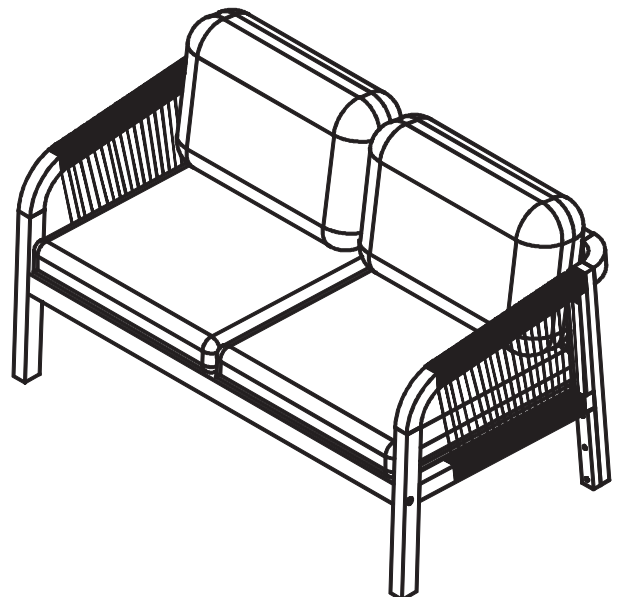
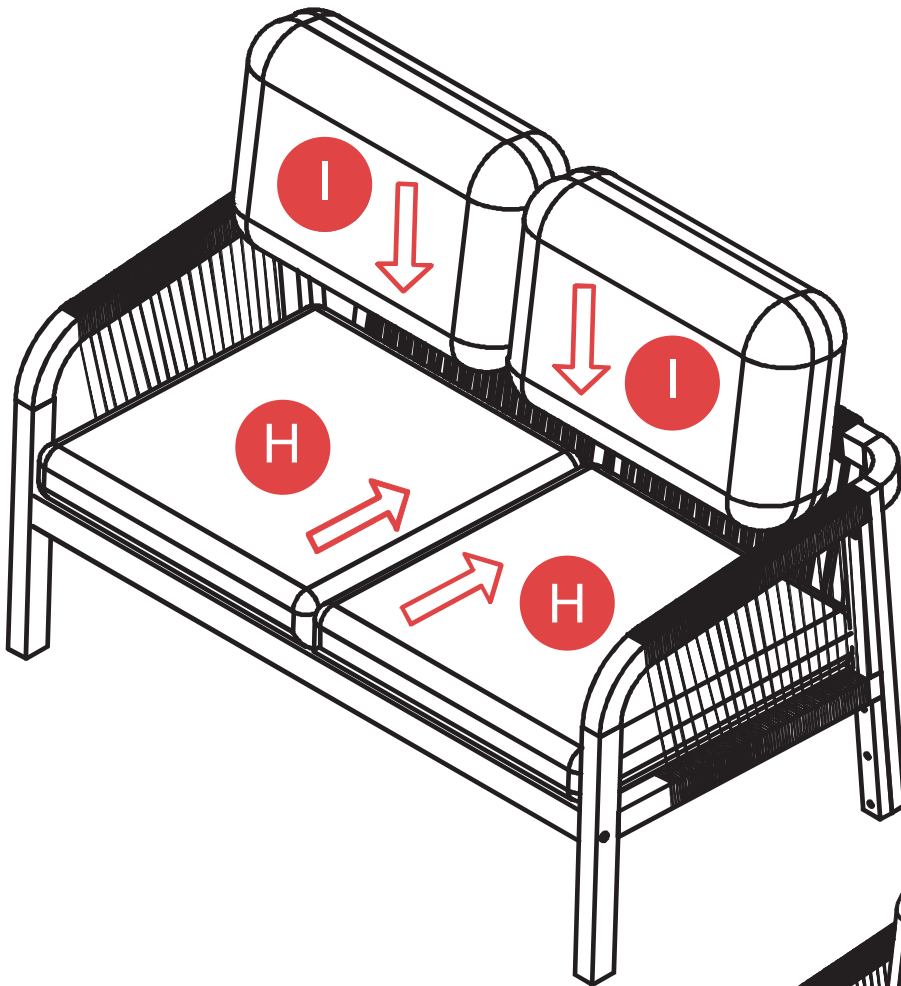
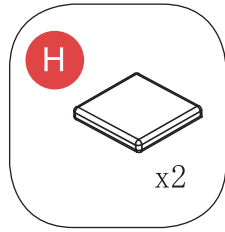
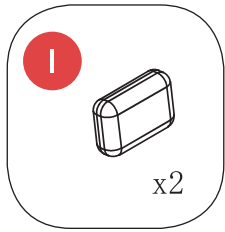
## STEP 9 - DOUBLE CHAIR



## STEP 10 - DOUBLE CHAIR



# FINISHED - DOUBLE CHAIR



**FINISHED**