

54 IN. GREY FIREPLACE CONSOLE

ASSEMBLY INSTRUCTIONS

ITEM# FP-P-1915-32

SKU# 810570726

Need help? We are here for you!

For missing or replacement of wooden panels, hardware, or electric fireplace insert, please contact Vendor Customer Service at 1-888-878-8820 Hours: Mon.-Fri., 8:30am - 5:30pm (Pacific Standard Time).

GENERAL BEST PRACTICES FOR ASSEMBLY

Read all instructions before starting

Clear a flat covered space to begin

We recommend 2 adults for assembly

Note that hardware required is provided for every step

Pay attention to orientation

Letter of the part corresponds to a sticker on the product

Number of the hardware corresponds to its number in the package

Helpful hints provided along the way

WARNINGS

1. Need at least two adults to assemble this fireplace.
2. Assemble on soft , smooth surface to protect finish from being scratched.
3. DO NOT use power tools.
4. Remove all packaging material, make sure all parts are present before assembly.
5. Estimated Assembly Time: 1 hour 15 minutes. Exact assembly times will vary based on skill level and past assembly experience.
6. Death or serious injury may occur when children climb on audio and/or video equipment furniture. A remote control or toys placed on the furnishing may encourage a child to climb on the furnishing and as a result the furnishing may tip over on to the child.
7. Relocating audio and/or video equipment to furniture not specifically designed to support audio and/or video equipment may result in death or serious injury due to the furnishing collapsing or over turning onto a child.
8. To prevent serious injury or death, this product is equipped with a wall anchoring system. Before this product can be used, the wall anchoring system must be installed as directed in the assembly instructions.

MAINTENANCE

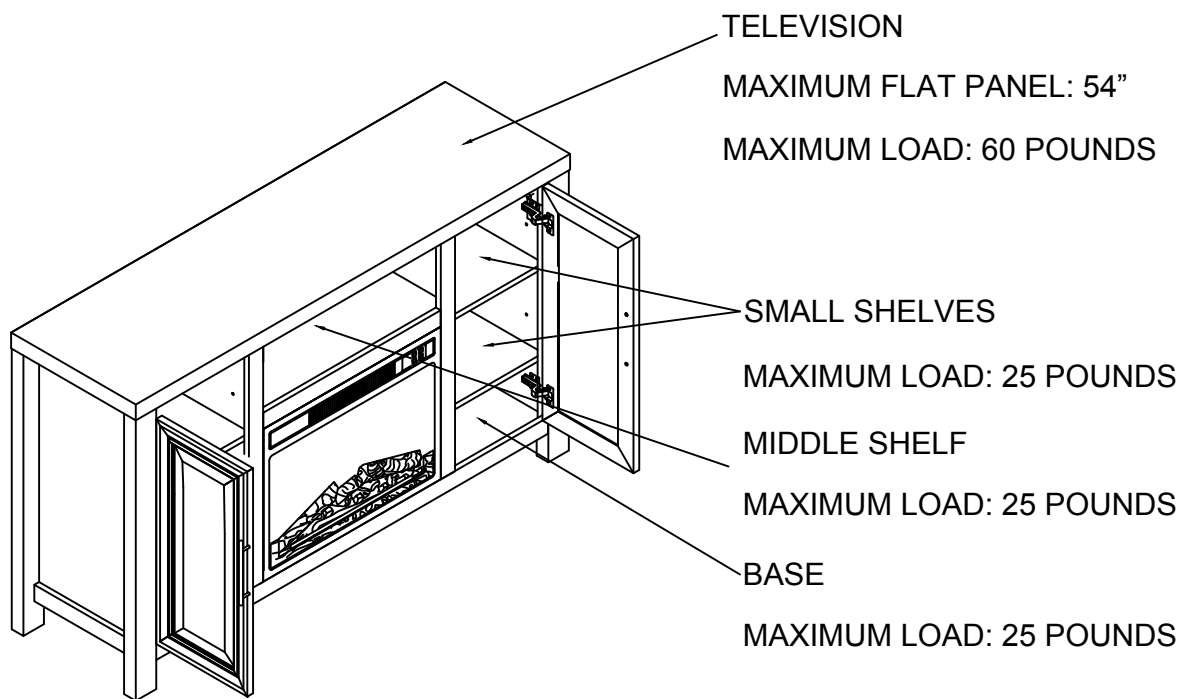
1. Clean periodically by wiping the product with a soft clean cloth.
2. Do not expose your product to any liquids. All liquids should be wiped up immediately with a soft, slightly damp cloth in the direction of wood grain.
3. Do not expose your product to strong or direct sunlight, near heat outlets or air conditioning units, open windows or dampness. Excessive exposure to sunlight and heat can cause fading of your furniture finish. Extreme temperatures and humidity changes can cause wood cracking and splitting.
4. Clean using a glass/mirror cleaner and soft cloth. Do not use cleaning products containing abrasives, as these will scratch glass/mirror.

 **CAUTION**

This Fireplace (FP-P-1915-32) is designed for flat panel LCD TVs weighing up to 60 lbs. For items other than flat panel LCD TVs, this fireplace will support up to 135 lbs when the item is placed evenly on the top surface. Use with other products may results in instability causing possible injury.

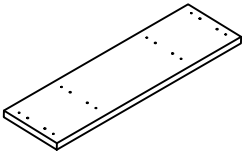
 **WARNING**

FOR USE WITH TELEVISIONS WEIGHTING 60 LBS (27.18 KG) OR LESS.
USE WITH HEAVIER TV MAY RESULT IN INSTABILITY CAUSING TIP OVER
RESULTING IN DEATH OR SERIOUS INJURY.



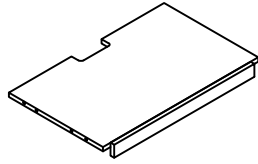
MANUFACTURER: YOUNG CHAIN CO.,LTD
ITEM#: FP-P-1915-32
DISTRIBUTION: Big Lots Stores, Inc.
ADDRESS: P.O. BOX 28523, COLUMBUS,OH 43228-0523
COUNTRY OF ORIGIN: VIETNAM ;
MANUFACTURE DATE: 2022.05

PART LIST



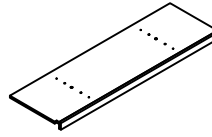
A

1PC
TOP



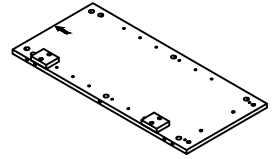
B

1PC
MIDDLE SHELF



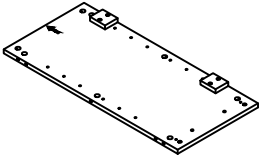
C

1PC
BASE



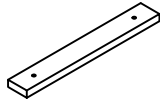
D

1PC
LEFT SIDE PANEL



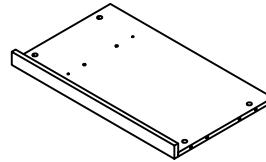
E

1PC
RIGHT SIDE PANEL



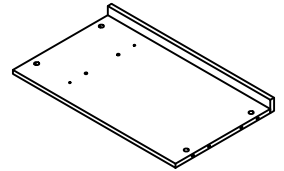
F

2PCS
SIDE TRIM



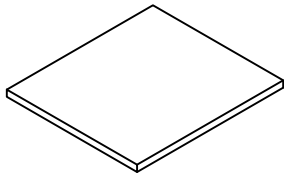
G

1PC
LEFT PARTITION



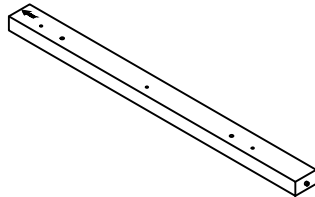
H

1PC
RIGHT PARTITION



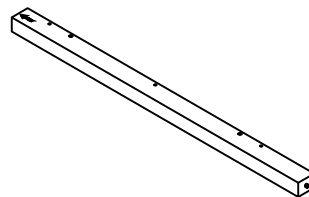
I

4PCS
SMALL SHELF



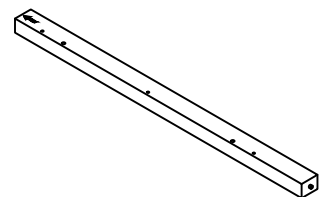
J

1PC
POST A



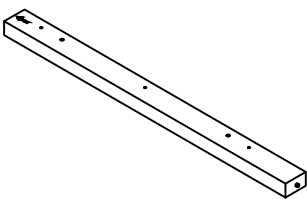
K

1PC
POST B



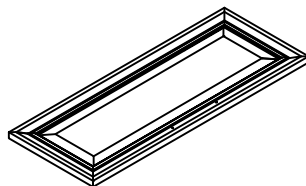
L

1PC
POST C



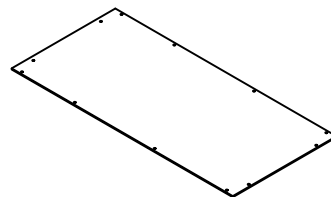
M

1PC
POST D



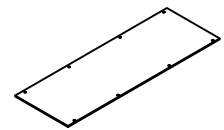
N

2PCS
DOOR



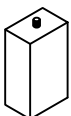
O

2PCS
SIDE BACK PANEL



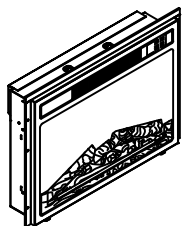
P

1PC
MIDDLE BACK PANEL



Q

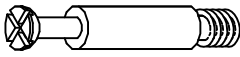
2PCS
MIDDLE LEG



1PC

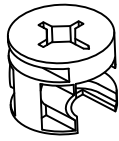
INSERT FIREPLACE
HEATER

HARDWARE LIST



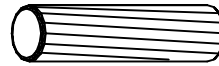
H1

33pcs
CAM BOLT



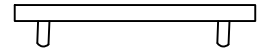
H2

33pcs
CAM LOCK



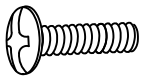
H3

29pcs
WOOD DOWEL



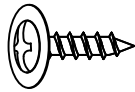
H4

2pcs
HANDLE



H5

5pcs
BOLT



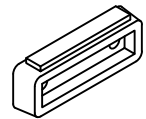
H6

33pcs
ROUND HEAD SCREW



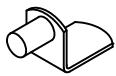
H7

5pcs
ROUND HEAD SCREW



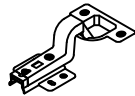
H8

2pcs
DOOR BLOCK



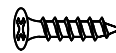
H9

17pcs
SHELF PIN



H10

4pcs
DOOR HINGE



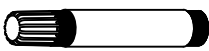
H11

25pcs
SHORT FLAT HEAD
SCREW



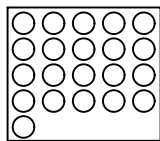
H12

5pcs
LONG FLAT HEAD
SCREW



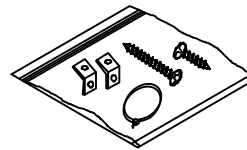
H13

1pc
TOUCH-UP PEN



H14

21pcs
STICKER



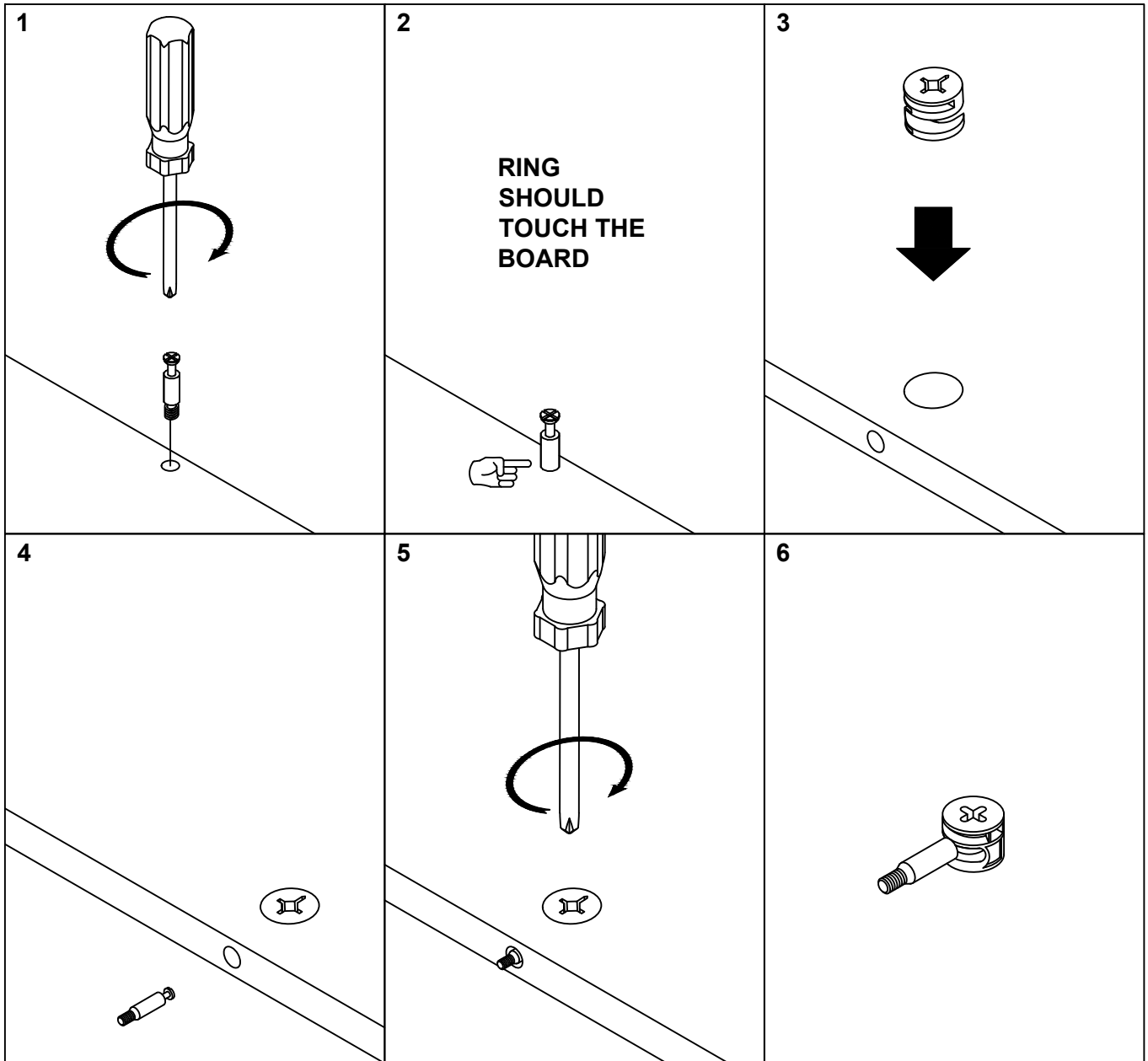
H15

1set
ANTI-TIPPING



NOT PROVIDED

HELPFUL HINTS

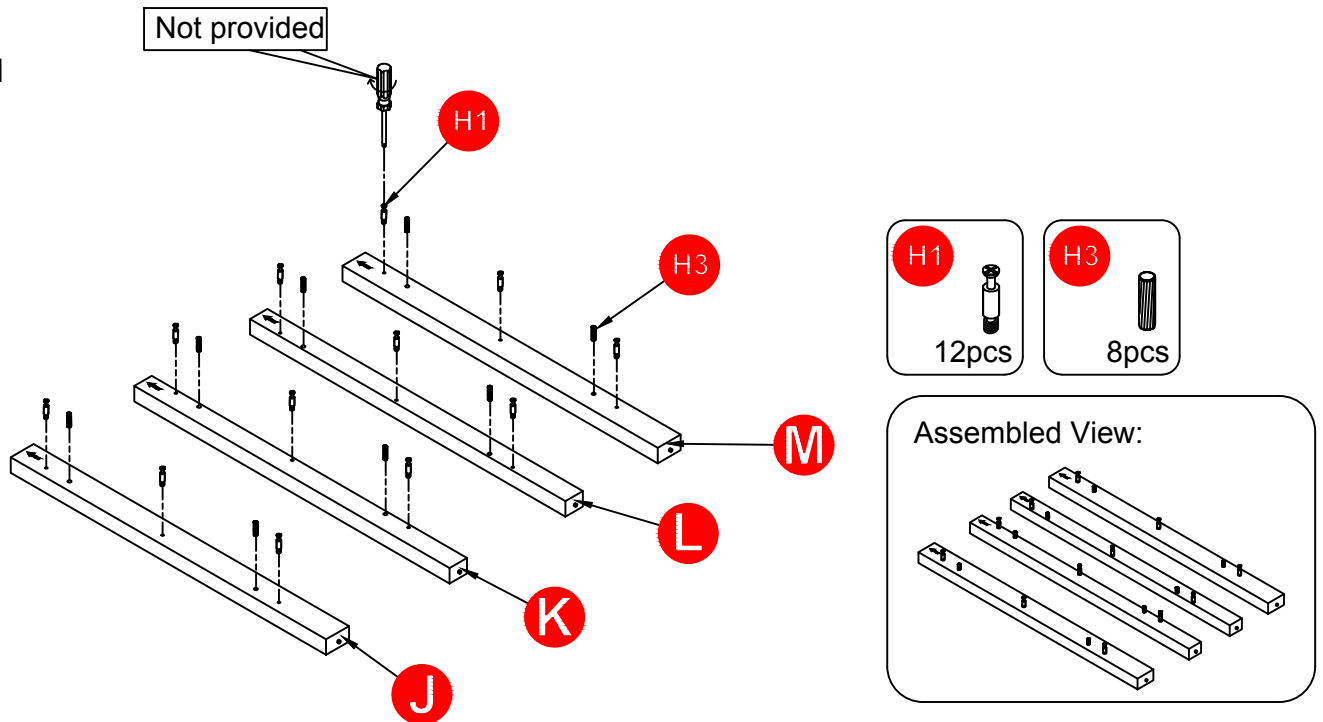


1. Screw the cam bolt into the predrilled panel. The cam bolt should be tightened so no threads are visible.
2. The larger ring of the cam should touch the panel.
3. Insert the cam lock into the predrilled hole in the panel. Arrow faces the outside of the panel.
4. Connect the previously tightened cam bolt with the panel connected into the cam lock.
5. Using a flat head screw driver, turn the cam lock halfway clockwise to secure the cam bolt.
6. **FAILURE TO PROPERLY SECURE THE CAM LOCK AND CAM BOLT COULD RESULT IN PRODUCT INSTABILITY AND FAILURE.**

STEP 1

Place Post A (J), Post B (K), Post C (L) and Post D (M) on a soft smooth surface. The side with the most holes should be facing up. Insert the Cam bolt (H1) into the corresponding hole of Post A (J), Post B (K), Post C (L) and Post D (M) using the screwdriver (Not provided). Insert Wood dowels (H3) into the remaining holes as shown in figure 1.

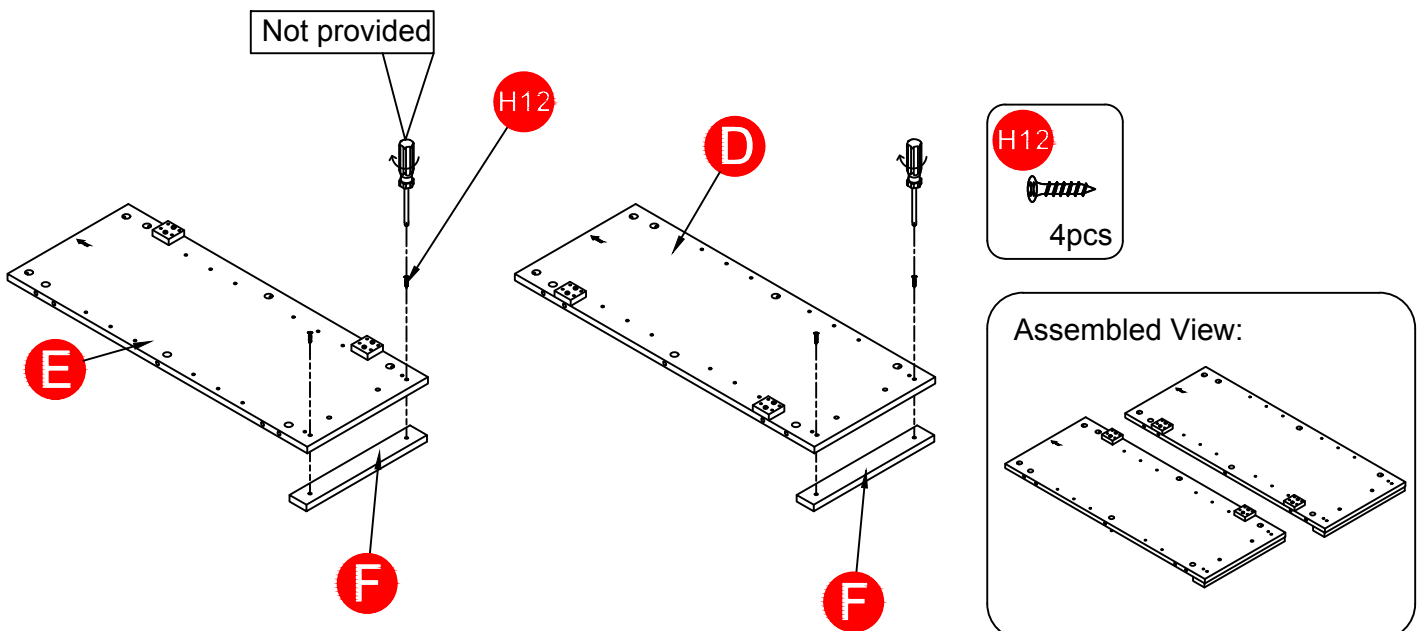
Figure 1



STEP 2

Place Side trim (F) on a soft smooth surface with the holes facing up. Align the holes in Right Side panel (E) with the holes of Side trim (F) and secure in place with Long flat head screw (H12) using the screwdriver (Not provided) as shown in figure 2. Fully tighten all screws. Repeat this process to install Side trim (F) to Left side panel (D).

Figure 2



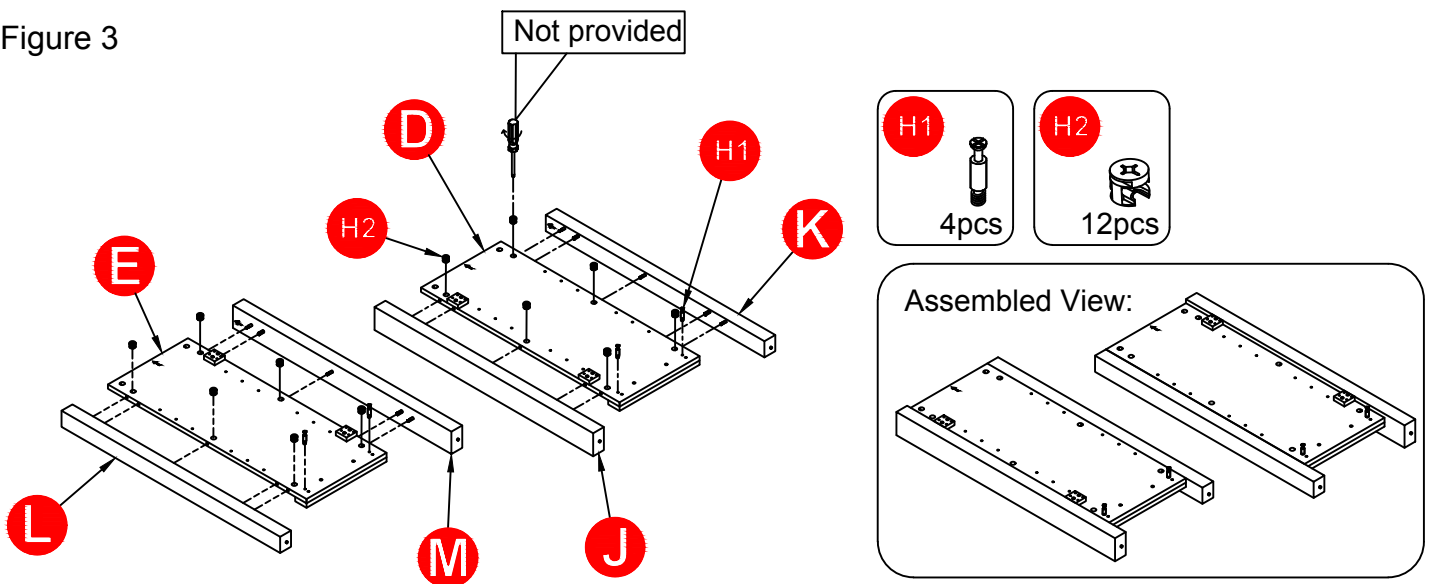
STEP 3

Place Right side panel (E) on a soft smooth surface with the holes facing up. Insert the Cam Bolts (H1) and Wood dowels (H3) of Post C (L) and Post D (M) into the corresponding holes of Right side panel (E) and secure in place using Cam lock (H2) as shown in figure 3.

Note: The blocks of Right side panel (E) should be on the side of Post D (M) and the top ends should be flush. Repeat this process to attach Post A (J) and Post B (K) to Left side panel (D) as shown in figure 3.

Note: The Blocks of Left side panel (D) should be on the side of Post A (J) and the top ends should be flush. Insert Cam Bolt (H1) into Right side panel (E) and Left side panel (D) as shown in figure 3 and tighten using screwdriver (Not provided) as shown in figure 3.

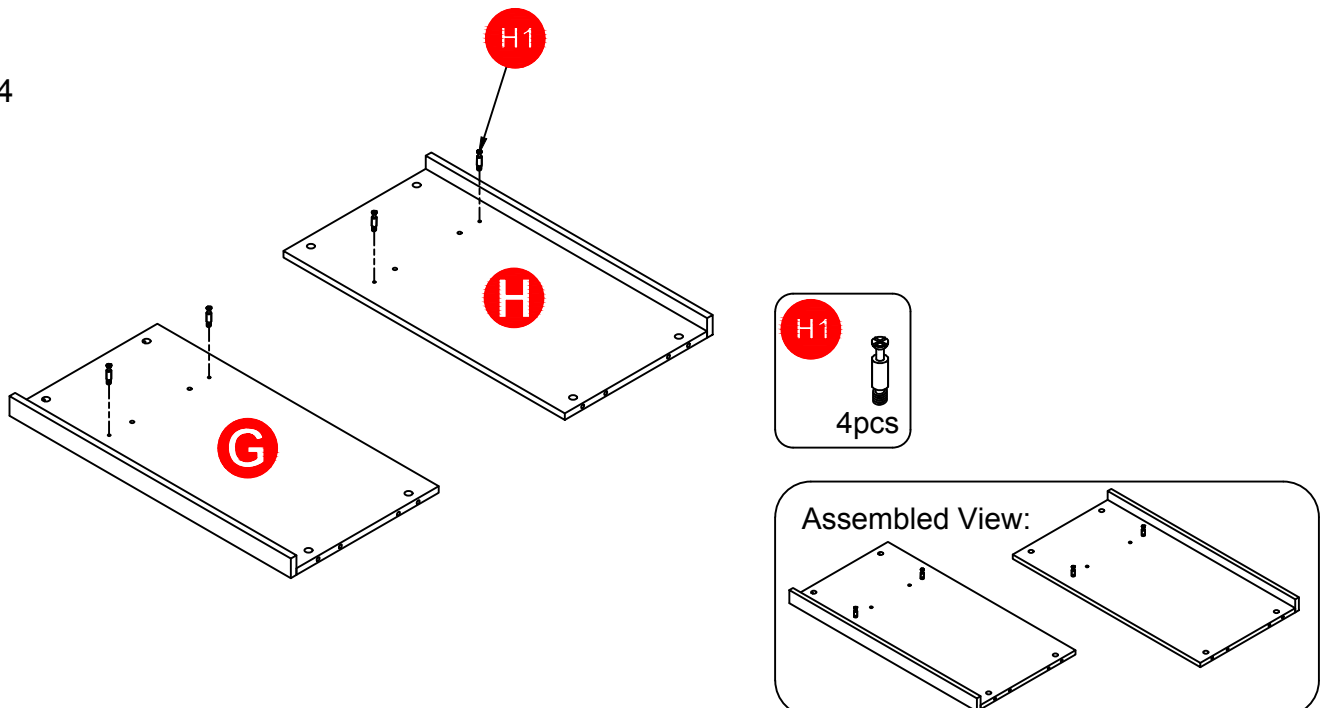
Figure 3



STEP 4

Insert Cam bolt (H1) into the corresponding holes of Left & Right partition (G/H) using the screwdriver (Not provided) as shown in figure 4.

Figure 4



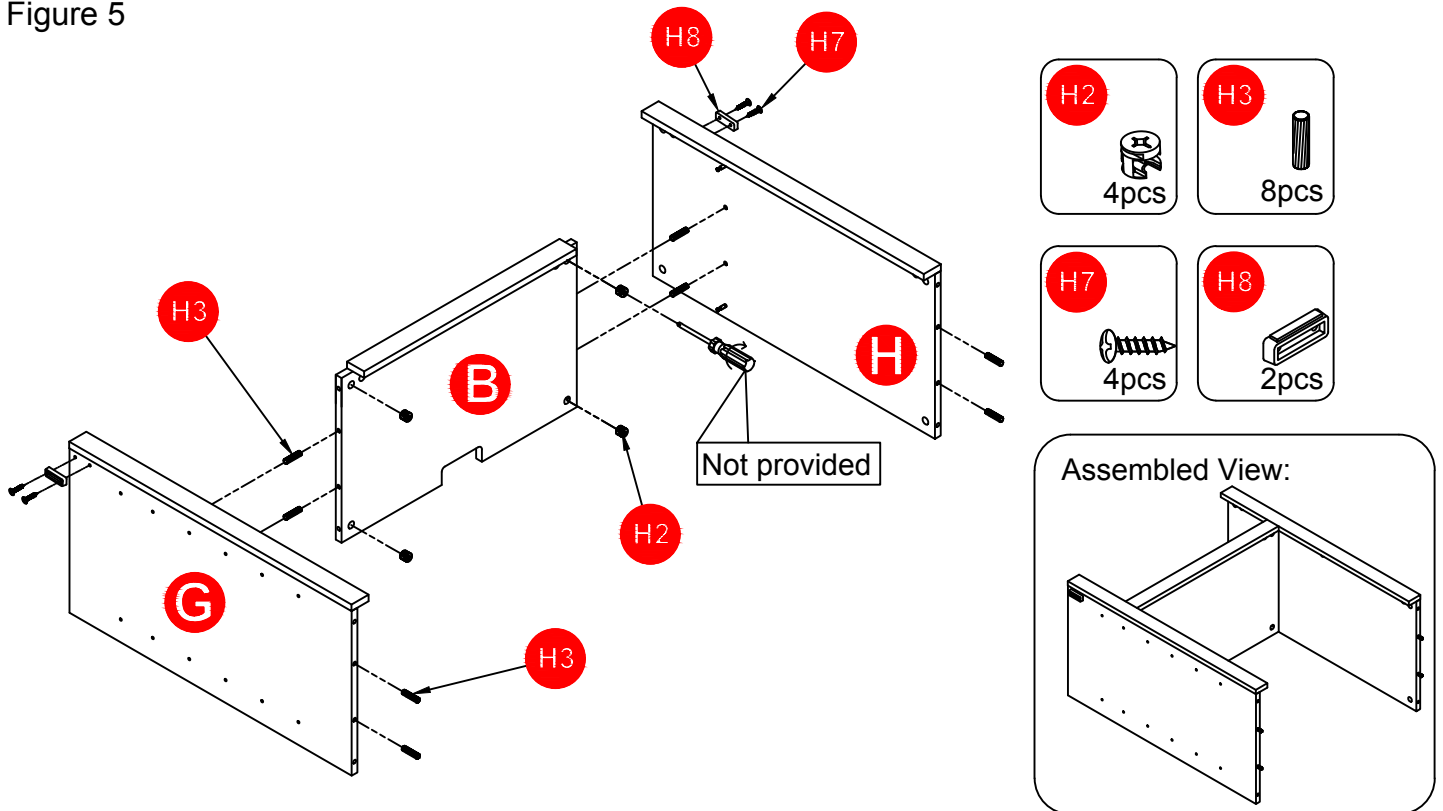
STEP 5

With assistance from another adult, hold Middle shelf (B) and Left partition (G) vertically as shown in figure 5. Insert Wood dowels (H3) into the corresponding holes of Middle shelf (B) as shown in figure 5. Slide the Cam bolts (H1) of Left partition (G) into the corresponding holes of Middle shelf (B) and secure in place with Cam lock (H2) using screwdriver (Not provided).

Repeat this process to attach Right partition (H) to Middle shelf (B) as shown in figure 5.

Align the Door block (H8) with the pre-drilled pilot holes in the Left partition (G) and Right partition (H) and attach with Round head screw (H7) using screwdriver (Not provided) as shown in figure 5.

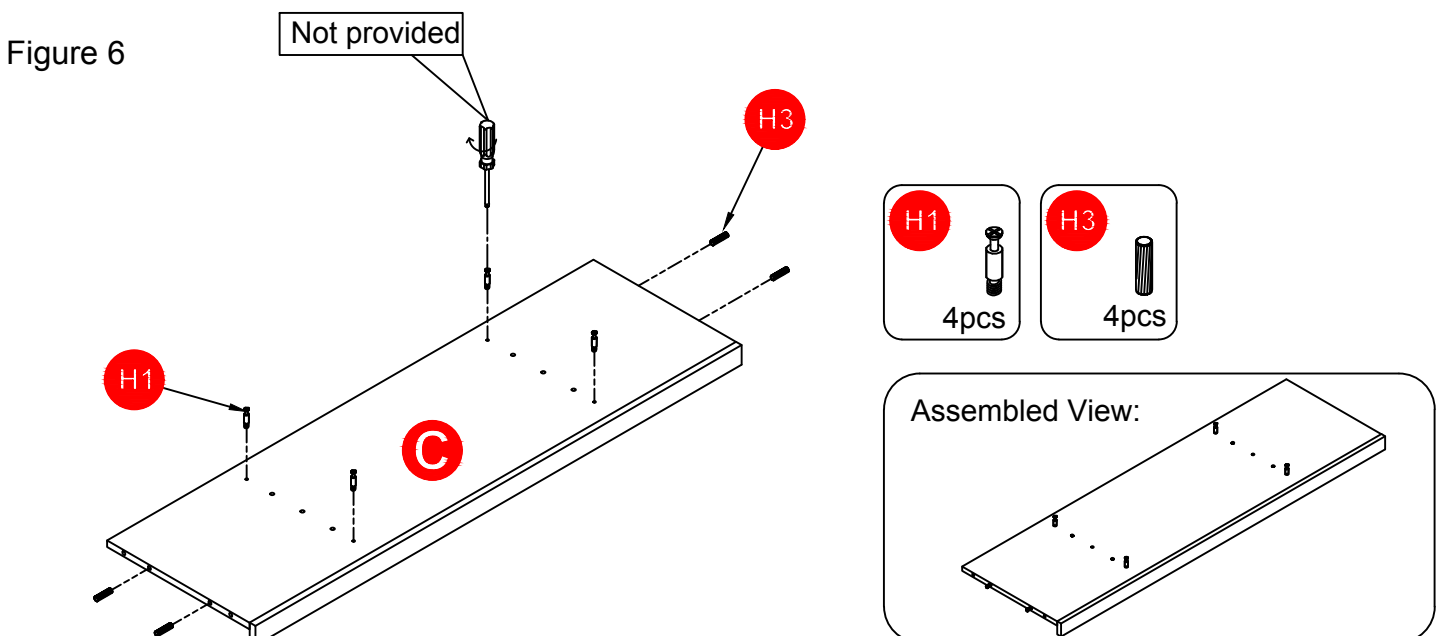
Figure 5



STEP 6

Insert Cam bolt (H1) into the corresponding holes of Base (C) using the screwdriver (Not provided). Insert Wood dowels (H3) into the corresponding holes of Base (C) as shown in figure 6.

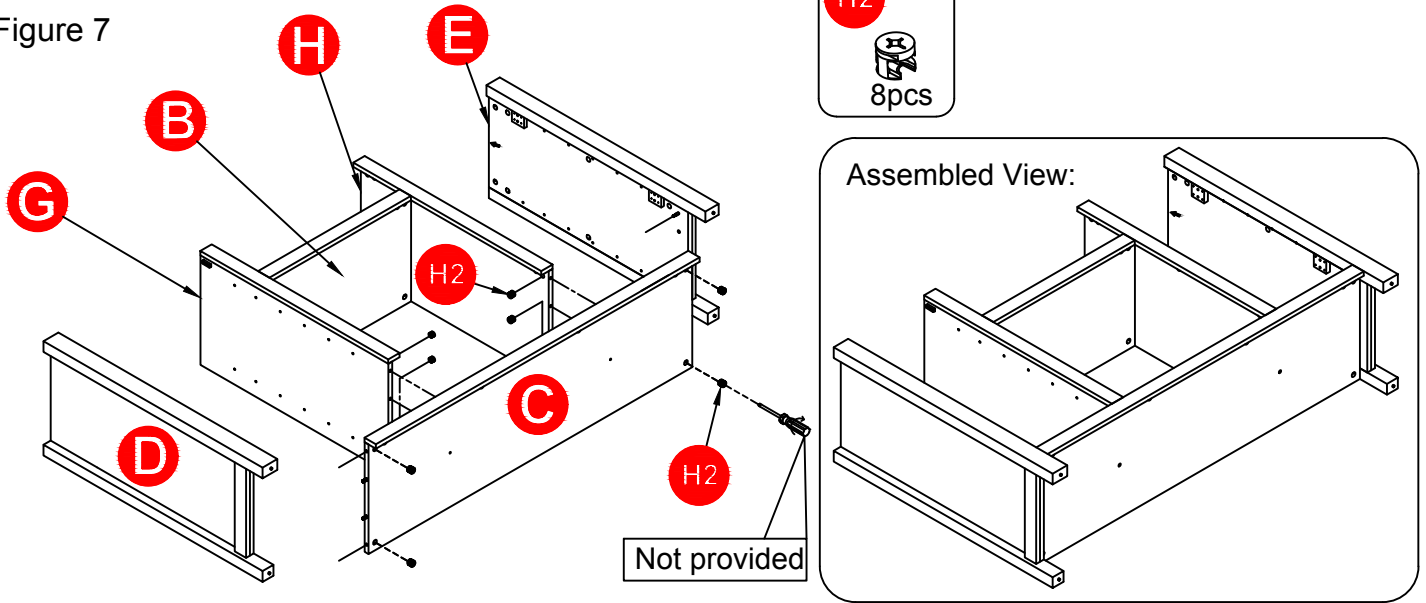
Figure 6



STEP 7

With assistance from another adult, place Left side panel (D) on edge as shown in figure 7. Align the holes in Left partition (G) and Right partition (H) with the Cam bolts (H1) in Base (C) and slide into place as shown in figure 7. Secure the Left partition (G) and Right partition (H) to Base (C) with Cam lock (H2) using screwdriver (Not provided). Align the Cam bolts (H1) in Left side panel (D) with the corresponding holes in Base (C) and slide into place. Secure the Left side panel (D) to Base (C) with Cam Lock (H2) using screwdriver (Not provided). Repeat this process for the Right side panel (E) as shown in figure 7.

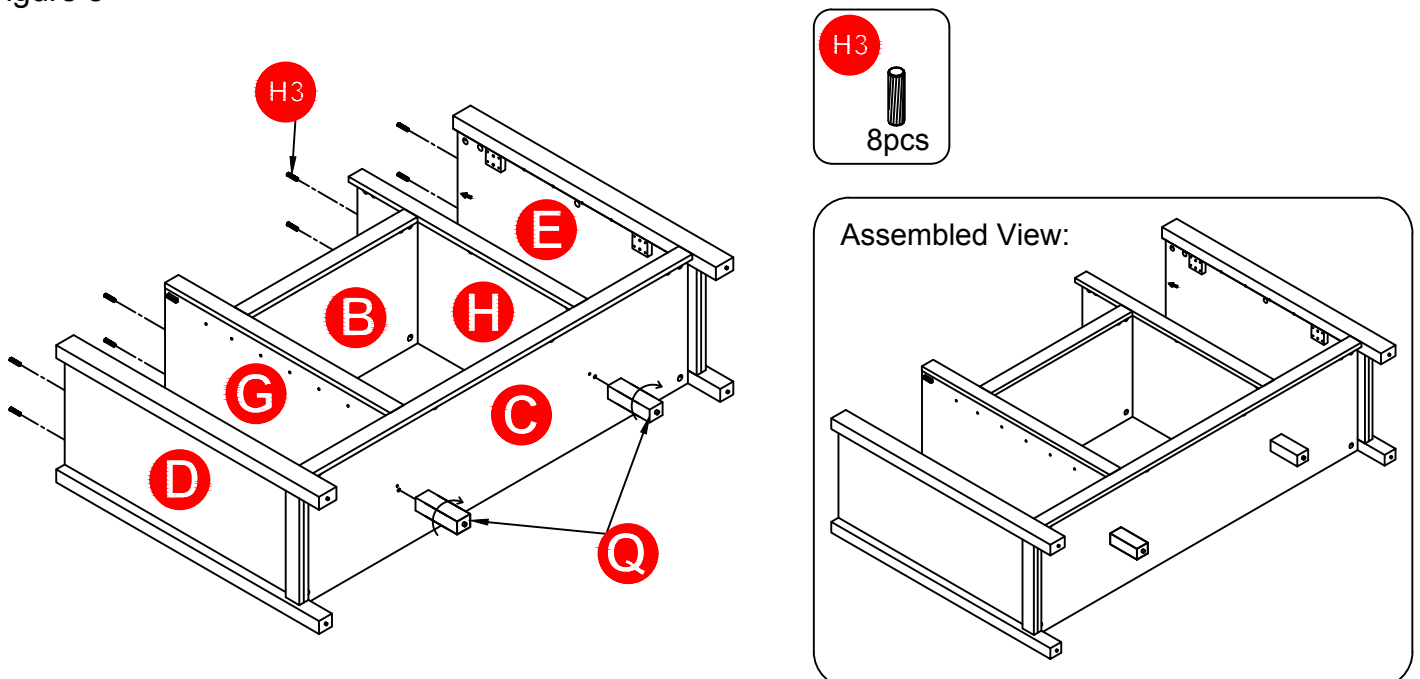
Figure 7



STEP 8

Insert Wood dowel (H3) into the indicated holes of the Left side panel (D), Left partition (G), Right partition (H) and Right side panel (E) as shown in the figure 8. Insert Middle leg (Q) into Base (C) and turn clockwise until tight as shown in figure 8.

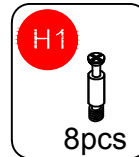
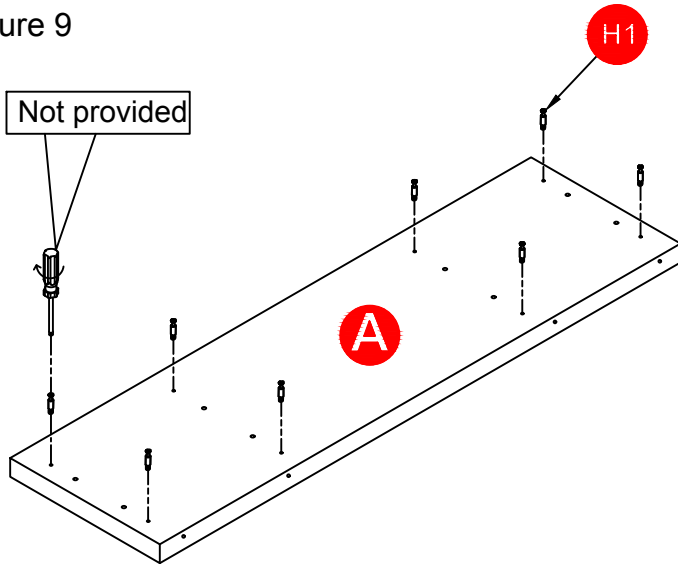
Figure 8



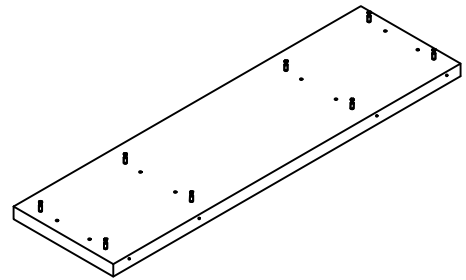
STEP 9

Place Top (A) on a soft smooth surface with the holes facing up.
Insert Cam bolt (H1) into the indicated holes in figure 9 and fully tighten using the screwdriver (Not provided).

Figure 9



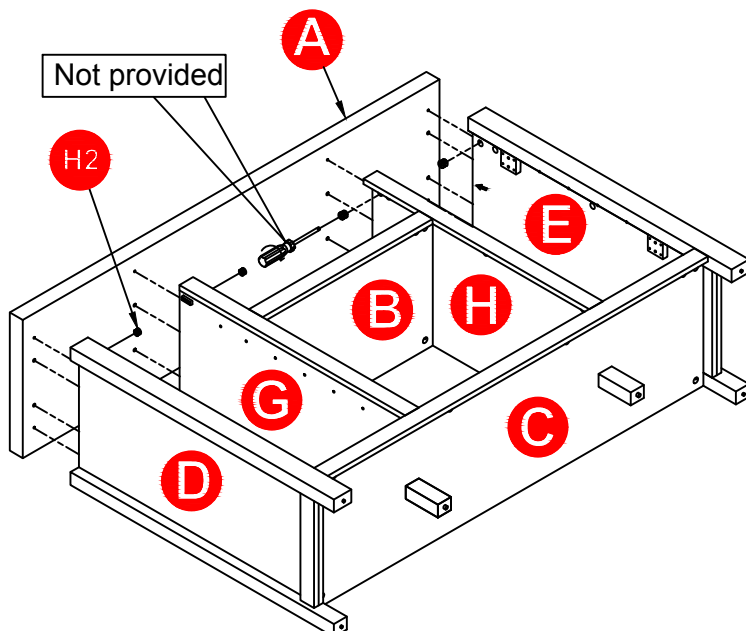
Assembled View:



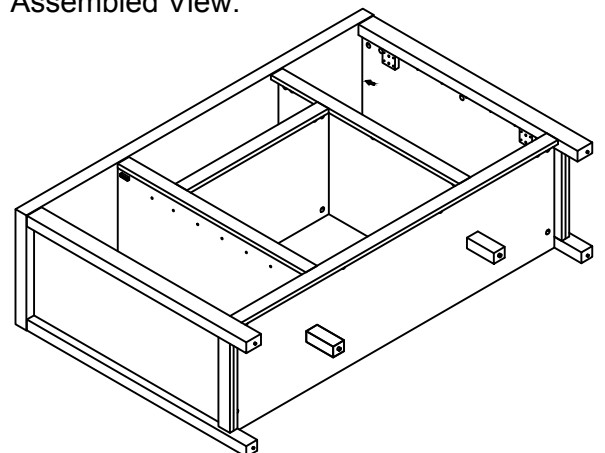
STEP 10

With assistance from another adult, align the Cam bolts (H1) in Top (A) with the holes in Left side panel (D), Left partition (G), Right partition (H) and Right side panel (E) and slide into place as shown in figure 10. Secure Top (A) to Left side panel (D), Left partition (G), Right partition (H) and Right side panel (E) with Cam lock (H2) and tighten using screwdriver (Not provided) as shown in figure 10.

Figure 10



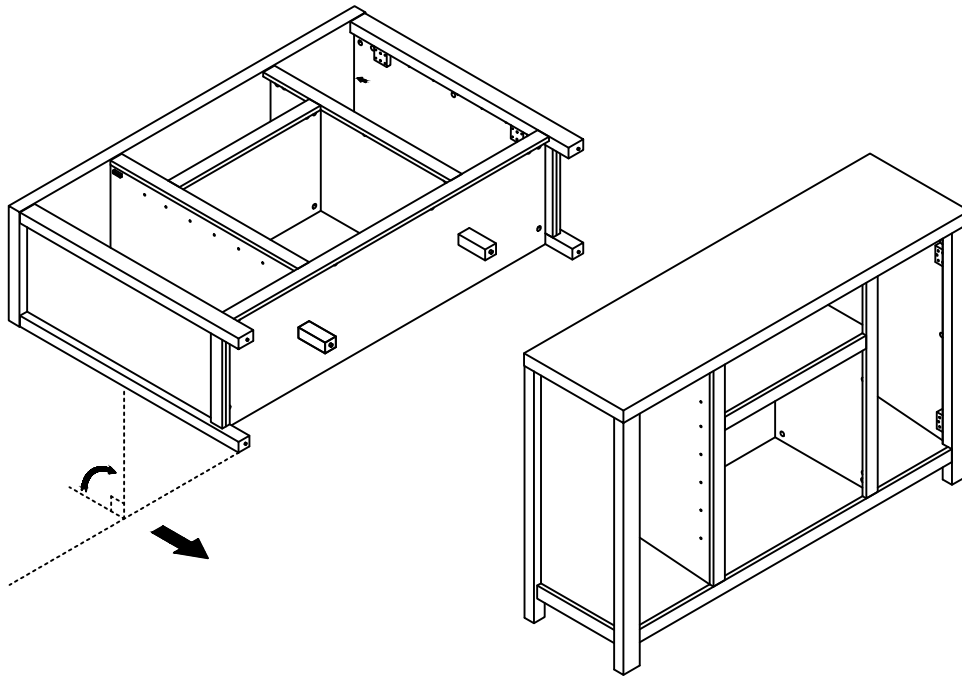
Assembled View:



STEP 11

With assistance from another adult, carefully tip the assemble pieces upright as shown in figure 11.

Figure 11



STEP 12

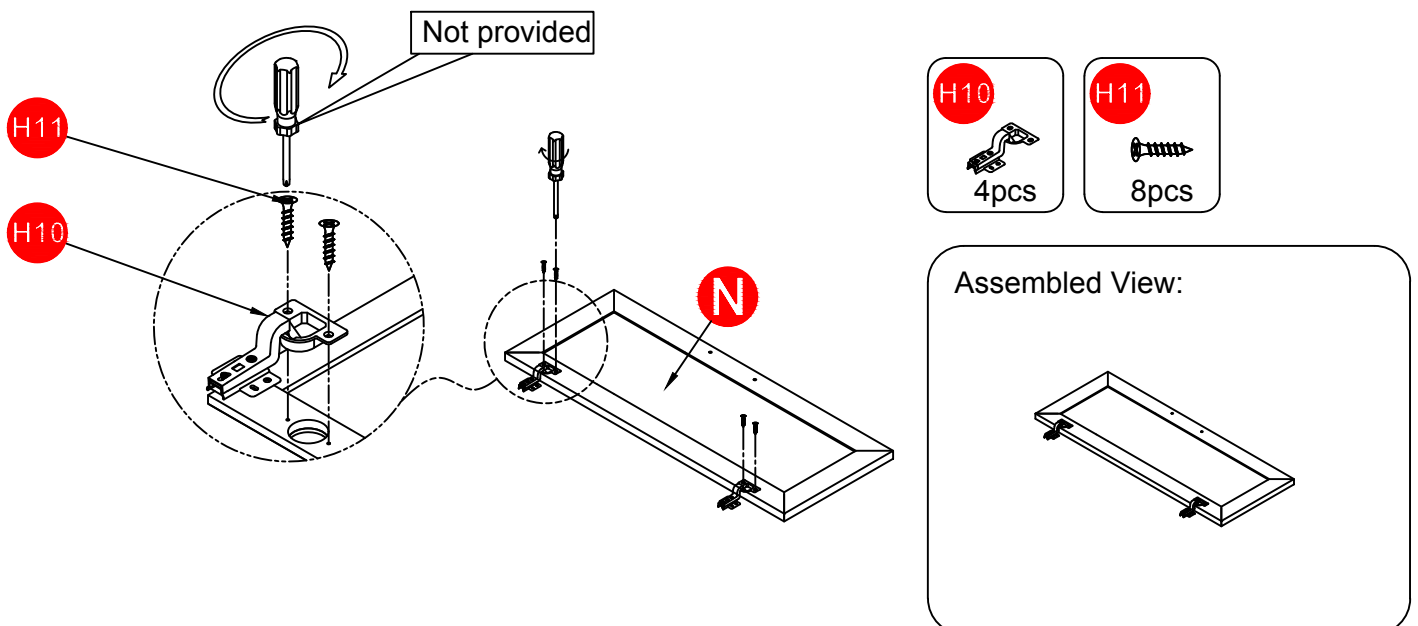
Place The Door (N) on a soft smooth surface with the large holes facing up.

Align the holes of Door hinge (H10) with the pre-drilled holes of The Door (N) as shown in figure 12.

Secure Door Hinge (H10) in place with Short flat head screw (H11) using screwdriver (Not provided) as shown in figure 12.

Repeat these same steps for another Door (N)

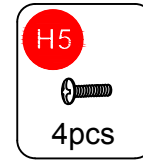
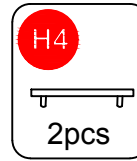
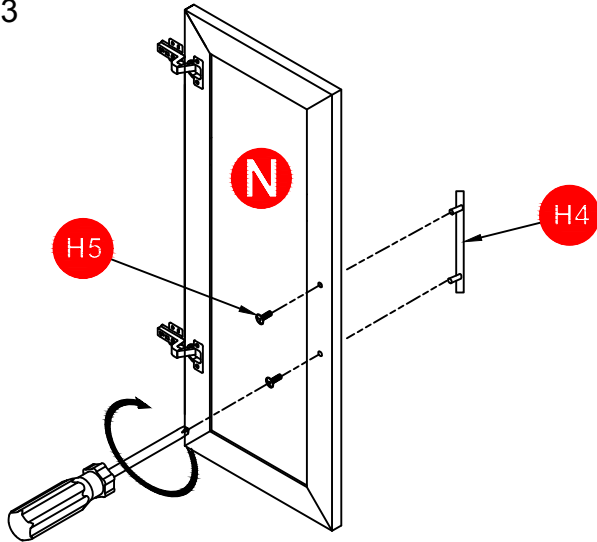
Figure 12



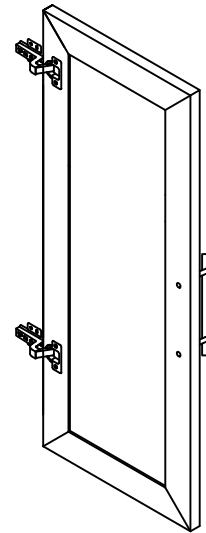
STEP 13

With assistance from another adult, hold The Door (N) vertically and attach Handle (H4) to the middle of the door with Bolt (H5) using screwdriver (Not provided) as shown in figure 13. Repeat these same steps for another Door (N)

Figure 13



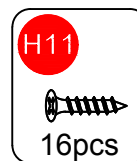
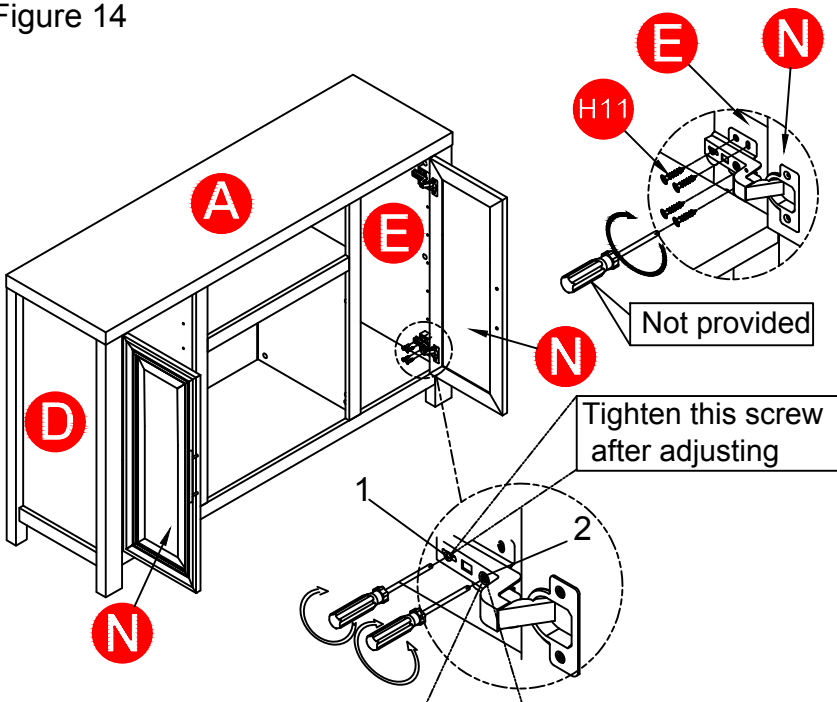
Assembled View:



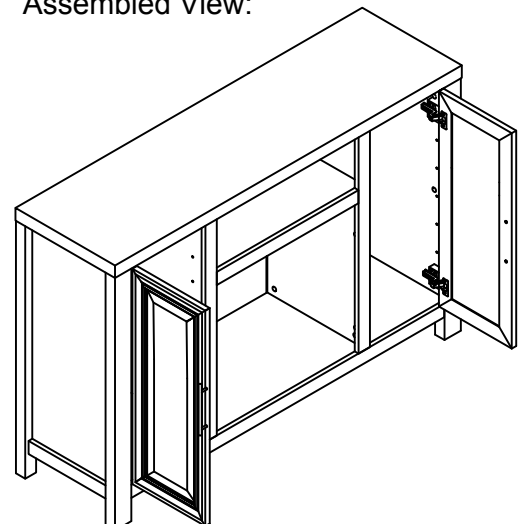
STEP 14

With assistance from another adult, align the holes of Door hinge (H10) on The Door (N) with the punctures in Right side panel (E) and secure in place with Short flat head screw (H11) using screwdriver (Not provided) as shown in figure 14. Fully tighten all screws. Repeat this process to attach another door (N) to Left side panel (D).

Figure 14



Assembled View:

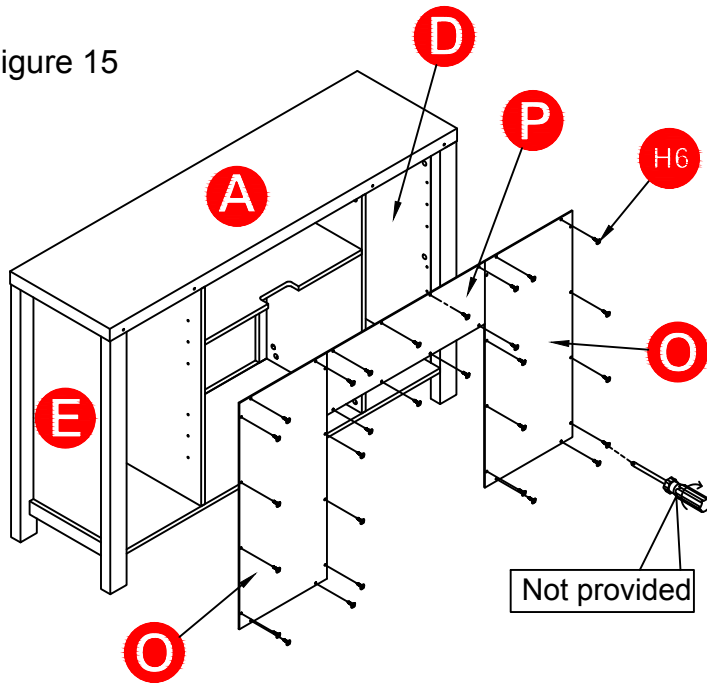


If the gap between the Door and Partition is not equal, adjust this screw on each hinge until the gap is even.

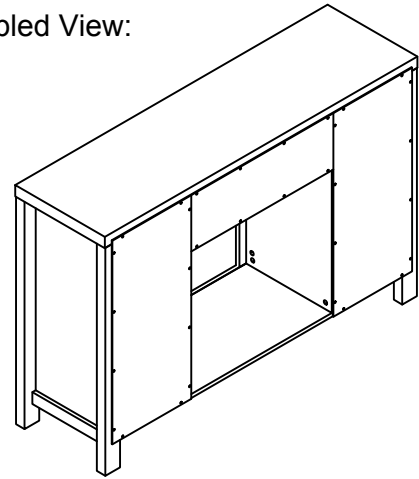
STEP 15

Align the holes in Side back panel (O) with the pilot holes in Top (A), Left side panel (D), Left partition (G), Right partition (H), Right side panel (E) and Base (C) with Round head screw (H6) using screwdriver (Not provided) as shown in figure 15. Align the top of Middle back panel (P) with the tops of Side back panels (O) and secure to Top (A) and Middle shelf (B) with Round head screw (H6) using screwdriver (Not provided) as shown in figure 15.

Figure 15



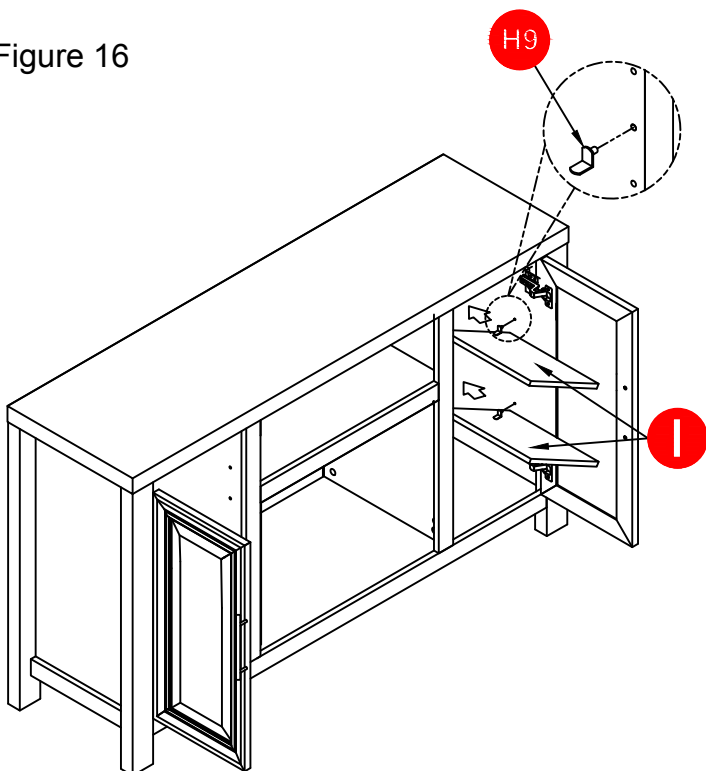
Assembled View:



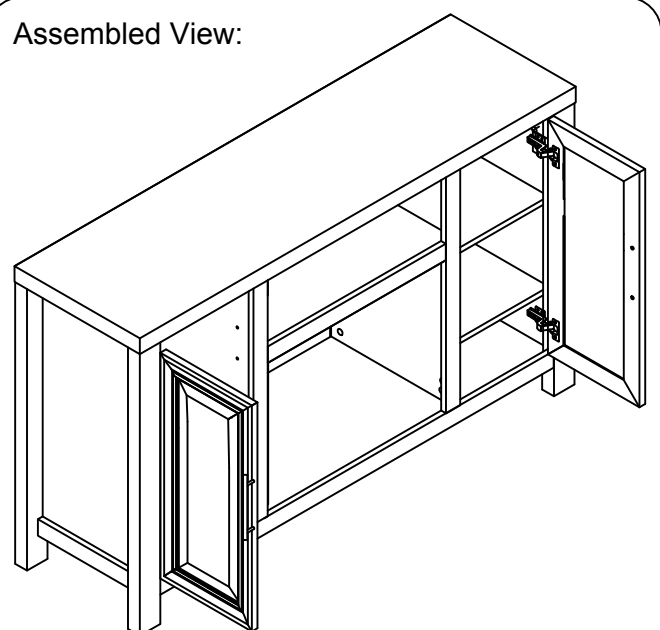
STEP 16

Insert Shelf pins (H9) into Left side panel (D), Left partition (G), Right partition (H) and Right side panel (E). Tilt Small shelf (I) at an angle into the mantel and place it on Shelf pins (H9) as shown in figure 16.

Figure 16



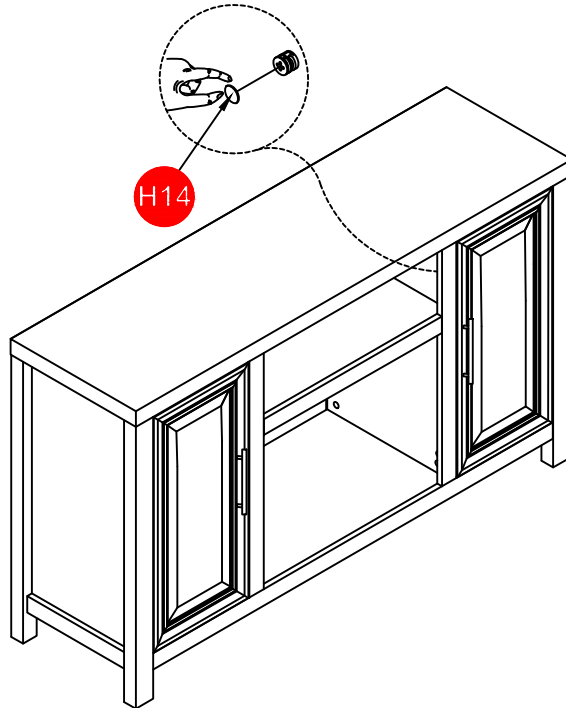
Assembled View:



STEP 17

Cover any visible Cam lock (H2) using Sticker (H14) as shown in figure 17.

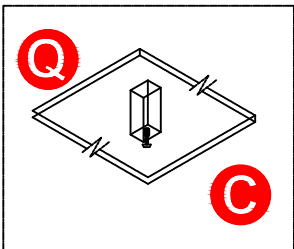
Figure 17



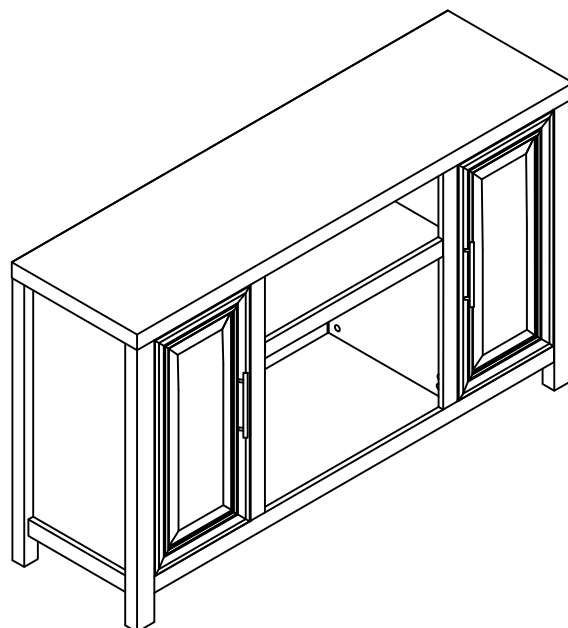
STEP 18

Wood Mantel assembly is completed.

Note: Please read the instruction booklet for the assembly and function Insert Fireplace Heater and remote control before using Fireplace



Adjust the leveler on Middle leg (Q) flush with the floor.



STEP 19

Install the Anti-Tip Hardware (H15) to secure the stand to the wall and prevent top over.

- Install one bracket to each top back middle of the Console Fireplace.
- Place the stand in the desired location and mark where the installed bracket meet the wall.
- Remove the stand and using the remaining bracket. Mark the position for the mounting hole.
- Attach the bracket to the wall with the provided screw.
- Return the fireplace to the desired location and attach the Bracket on the fireplace to the bracket on the wall using the plastic tie.

NOTE: Please insure Fireplace Heater is plugged in and working correctly before securing the Anti-tipping Strip to the Wall.

