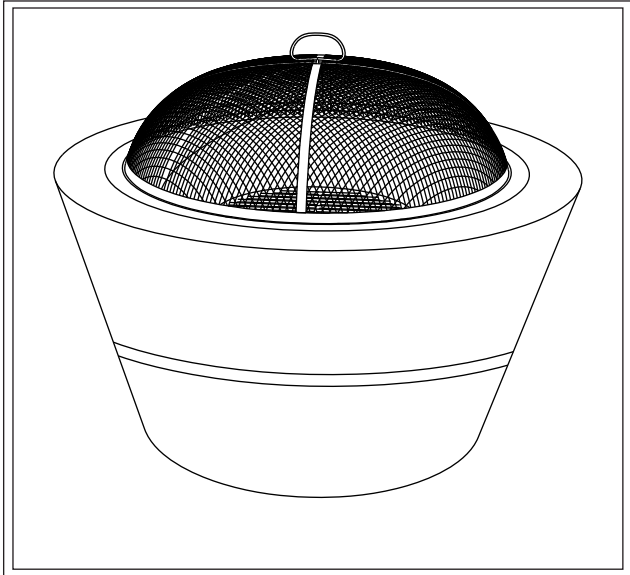



OWNER'S MANUAL

Customer Service: 1-866-397-9312

PRODUCT NAME: 30 IN RND WOOD BURNING FIREPIT
ITEM NUMBER: DS-53229
SKU NUMBER: 810567197




 **WARNING:** Inhalation of wood dust is known to the State of California to cause cancer. Burning wood results in emissions that can expose you to chemicals including carbon monoxide, soot, smoke, and other combustion by-products, which are known to the State of California to cause cancer, birth defects or other reproductive harm, and/or other adverse health effects. For more information go to www.p65warnings.ca.gov.

| Table of Contents | |
|-----------------------------|--------|
| Safety Instructions..... | Page 2 |
| Parts List..... | Page 3 |
| Assembly Instructions..... | Page 4 |
| Operating Instructions..... | Page 5 |
| Care and Maintenance..... | Page 5 |

 **WARNING**
FOR YOUR SAFETY

- OUTDOOR USE ONLY.
- DO NOT USE ON WOOD DECK OR FLAMMABLE SURFACE.
- SELECT EVEN GROUND FOR PLACEMENT
- KEEP SAFE DISTANCE FROM FIRE
- DO NOT USE NEAR OBJECTS MADE OF CARDBOARD, FABRIC ETC.
- DO NOT USE FLAMMABLE PRODUCTS SUCH AS GASOLINE OR KEROSENE TO START YOUR FIRE
- KEEP CHILDREN AWAY FROM FIRE
- DO NOT LEAVE FIRE UNATTENDED
- ITEM IS "HOT", ALLOW TIME TO COOL BEFORE TOUCHING.

 **WARNING**
FOR YOUR SAFETY

CARBON MONOXIDE HAZARD Burning Charcoal inside can kill you. It give off carbon monoxide, which has no odor. Never burn wood or charcoal inside homes, vehicles or tents.

DO NOT use this unit on a wood deck or other combustible surfaces such as dry grass, leaves, mulch, etc.

DO NOT use this near heat sensitive or combustible structures such as vinyl or wood siding.

Combustion by products produced when using this product include carbon monoxide, a chemical known in the state of california to cause birth defects or other reproductive harm.

This product contains chemicals known to the state of california to cause cancer, birth defects and/or reproductive harm.

SAFETY INSTRUCTIONS



IMPORTANT SAFETY WARNINGS

**READ ALL SAFETY WARNINGS AND INSTRUCTIONS CAREFULLY
BEFORE ASSEMBLING AND OPERATING YOUR FIRE PIT.**

INCORRECT ASSEMBLY, OPERATION, ALTERNATION, OR MAINTENANCE MAY CAUSE SEVERE INJURY OR PROPERTY DAMAGE.

FAILURE TO FOLLOW THE SAFETY INSTRUCTIONS AND WARNINGS IN THIS MANUAL MAY RESULT IN AN UNCONTROLLED FIRE OR EXPLOSION LEADING TO DAMAGE TO PROPERTY, SERIOUS BODILY INJURY OR DEATH.

SAVE THIS MANUAL FOR FUTURE REFERENCE.

(If you are assembling this unit for someone else, give this manual to him or her to for future reference)

LOCATION WARNINGS

- **FOR OUTDOOR USE ONLY**
- **DO NOT** operate indoors or in enclosed areas or under a roof overhang.
- **DO NOT** use the Fire Pit for indoor heating as carbon monoxide fumes can accumulate and cause asphyxiation.
- **DO NOT** use the Fire Pit on wooden decks or other surfaces that could burn.
- **DO NOT** use Fire pit on or near automobiles, boats or other recreational vehicles.
- **ALWAYS** maintain a proper clearance of at least 10 feet between Fire Pit and combustible materials such as LP cylinders, trees, bushes, fences, decks, buildings, etc.
- **THE** Fire Pit is designed to be used only on a hard, level, noncombustible, stable surface such as concrete, stone or other solid ground which is capable of supporting the weight of the unit.
An asphalt or blacktop surface is not a recommended location for this Fire Pit.
- **THIS** Fire Pit must be used in accordance with all applicable local, state and Federal regulations and guidelines.
Please contact your local fire department for details about outdoor burning restrictions in your area.

USE WARNINGS

- **DO NOT** use the Fire Pit unless completely assembled.
- **DO NOT** allow children to use this Fire Pit.
- **DO NOT** use where children and pets can access Fire Pit.
- **DO NOT** leave Fire Pit unattended while in use or while hot.
- **DO NOT** attempt to move Fire Pit when in use or when it contains hot coals or ashes.
- **DO NOT** use Fire Pit near flammable liquids or where flammable vapors may be present.
- **DO NOT** wear flammable or loose clothing around Fire Pit when in use.
- **DO NOT** use in windy conditions.
- **DO NOT** sit on or lean against the edge of the Fire pit.
- **DO NOT** use the Fire Pit unless the spark guard is securely in place.
- **DO NOT** extinguish using a garden hose or other water source.
- **EXTINGUISH** using sand or allow coal and ash to burn out under adult supervision.
- **NEVER** leave hot coals or ashes unattended in the Fire Pit.
- **ALL** surfaces of the Fire Pit remain hot when in use.
- **AVOID BURNS**, **ALWAYS** use heat resistant oven mitts or gloves when handling fork or spark guard.
- **KEEP** a fire extinguisher on hand. Contact your Fire Department for recommend size and type.
- **NOT** intended for commercial use.
- **ADULT** supervision is required when Fire Pit is in use or when still hot.





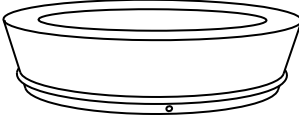
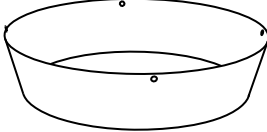






FUEL WARNINGS

- **DO NOT** use gasoline, kerosene, alcohol or similar fuels for lighting or re-lighting wood or charcoal.
The use of these or similar fuels may cause an explosion resulting in severe bodily injury.
- **DO NOT** add charcoal lighting fluid, gasoline, kerosene, alcohol or similar fuels to burning coals as this may result in an explosion resulting in severe bodily injury.
- **DO NOT** store gasoline, LP cylinders or other flammable liquids near Fire Pit.
- **DO NOT** use **ANY** material other than wood, charcoal, or manufactured logs as your fuel source.
- **DO NOT** use wood logs over 18 inches in length.
- **DRIED** and seasoned hardwood is recommend for hotter burning and less smoke.
- **AVOID** wood species that tend to emit sparks such as cedar and pine.

USE CAUTION AND COMMON SENSE WHEN OPERATING YOUR OUTDOOR FIRE PIT.

PART LIST

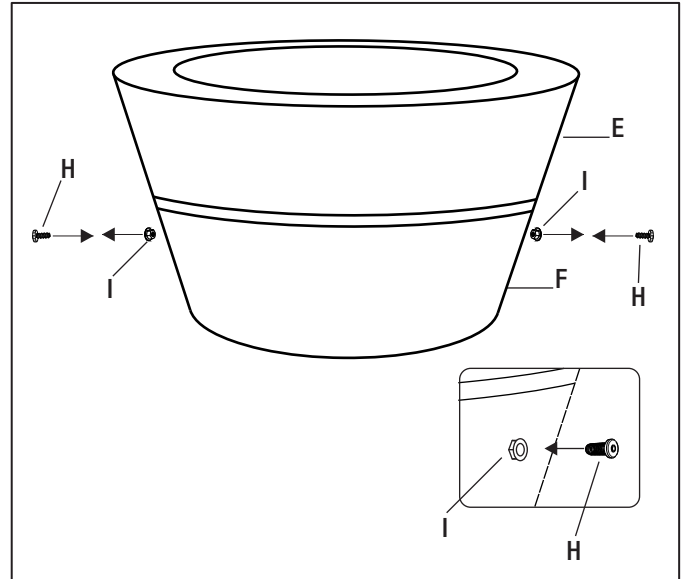
Thank you for purchasing the Fire Pit. This page lists all the contents included in the box. Please take time to identify the components of this product. As you unpack and prepare for assembly, place the contents on a hard level surface that does not have cracks or opening.

| Ltr. | Qty. | Part's Name | Components |
|------|------|-------------|--|
| A | 1 | Handle |  |
| B | 1 | Mesh Cover |  |
| C | 1 | Grate |  |
| D | 1 | Bowl |  |
| E | 1 | Upper Base |  |
| F | 1 | Lower Base |  |
| G | 1 | Hook |  |
| H | 4 | M6x20 Bolt |  |
| I | 4 | M6 Nut |  |
| J | 1 | M6 Nut |  |
| K | 1 | Washer |  |
| L | 1 | Allen Key |  |

ASSEMBLY INSTRUCTIONS

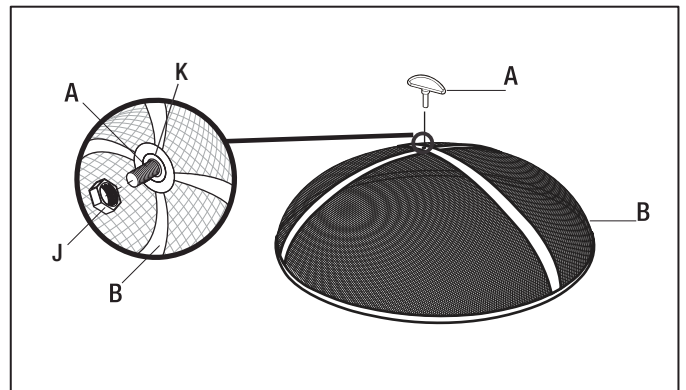
STEP 1: Attaching the legs

- Place the Lower base (F) to the upright position.
- Attach the Upper base (E) to the lower base (F) and align the bolt holes on the Upper base (E) with the holes on the Lower base (F) and insert bolts (H) through Upper & Lower base and loosely secure with a nut (I).
- Once all the bolts (H) and nut (I) are in place and tighten securely with the allen key (L) and wrench (not included).



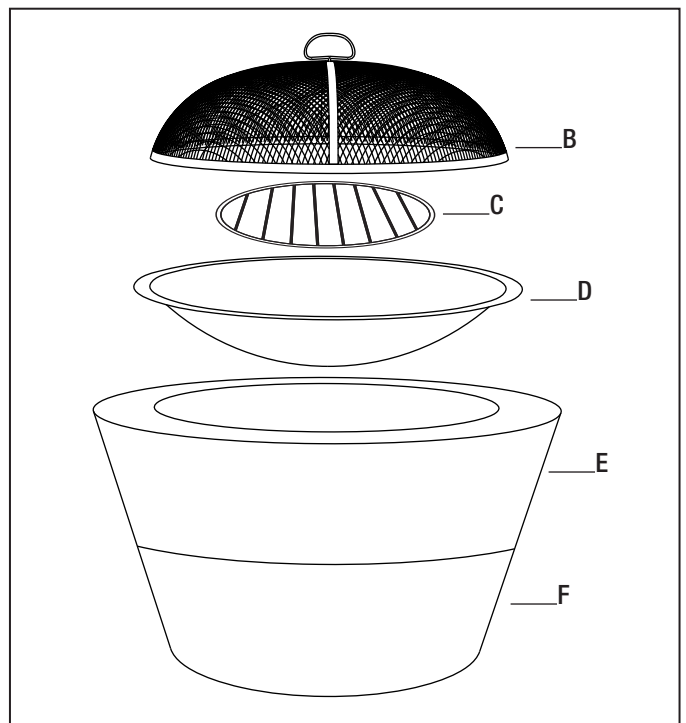
STEP 2: Attaching the handle

- Attached the Cover handle (A) to the mesh cover (B) by inserting the cover handle (A) through the top of the mesh cover (B) and securing with a washer (K) and nut (J).
- Tighten the nut (J) with a wrench (not included).



STEP 3: Assembling the mesh cover

- Place the Bowl (D) into the Upper Base (E).
- Place the grate (C) into the Bowl (D).
- Carefully place the Mesh Cover (B) on the Bowl (D).
The fire bowl is ready for use.



Operation

1 Starting and relighting a fire



WARNING: Do not use charcoal or an artificial log.



WARNING: Do not use large logs. Do not overload the fire bowl beyond 6 to 8 pounds.

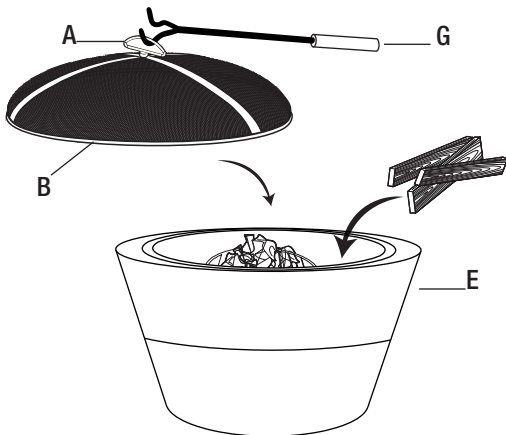


WARNING: Do not use gasoline or kerosene to start a fire.



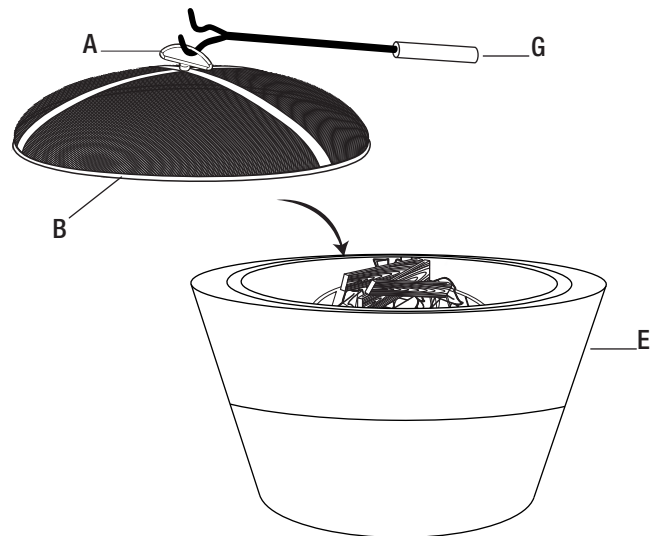
CAUTION: Keep the fire at a reasonable level, as large fires can damage or shorten the life of the unit.

- Place three to four sheets of crumpled newspaper into the fire bowl.
- Pile finely-split, dry firewood on top of the loosely crumpled newspaper. Do not use charcoal or an artificial log.
- Carefully light the loosely crumpled newspaper underneath the firewood and carefully replace the mesh cover using the hook (G).



2 Adding wood to an existing fire

- Use the hook (G) to lift the handle on the mesh cover (B) and carefully add wood while the fire is burning.
- Use the hook (G) to carefully replace the mesh cover (B) back onto the bowl.



Note:- After burning you will note changes which is normal after burning.

Note:- Finish will not look the same after burning.

Care and Cleaning

- Once the fireplace is completely cooled down, remove the mesh cover using the handle. Pour the ashes from the bowl and rinse with clean water and allow to dry completely.
- Clean after each use.
- Do not use a scrub brush.
- If the paint chips, use only high-temperature paints and a brush to fix.
- If rust is showing, sand lightly and repaint the area with high-temperature paints.
- Dry with a soft cloth.
- Turn the unit upside down when not in use to prevent water from collecting.
- Cover the unit when not in use to prolong the life.
- Keep your fire pit out of the rain.
- Always dry completely and store in cool dry.



WARNING: Inhalation of wood dust is known to the State of California to cause cancer. Burning wood results in emissions that can expose you to chemicals including carbon monoxide, soot, smoke, and other combustion by-products, which are known to the State of California to cause cancer, birth defects or other reproductive harm, and/or other adverse health effects. For more information go to www.p65warnings.ca.gov.