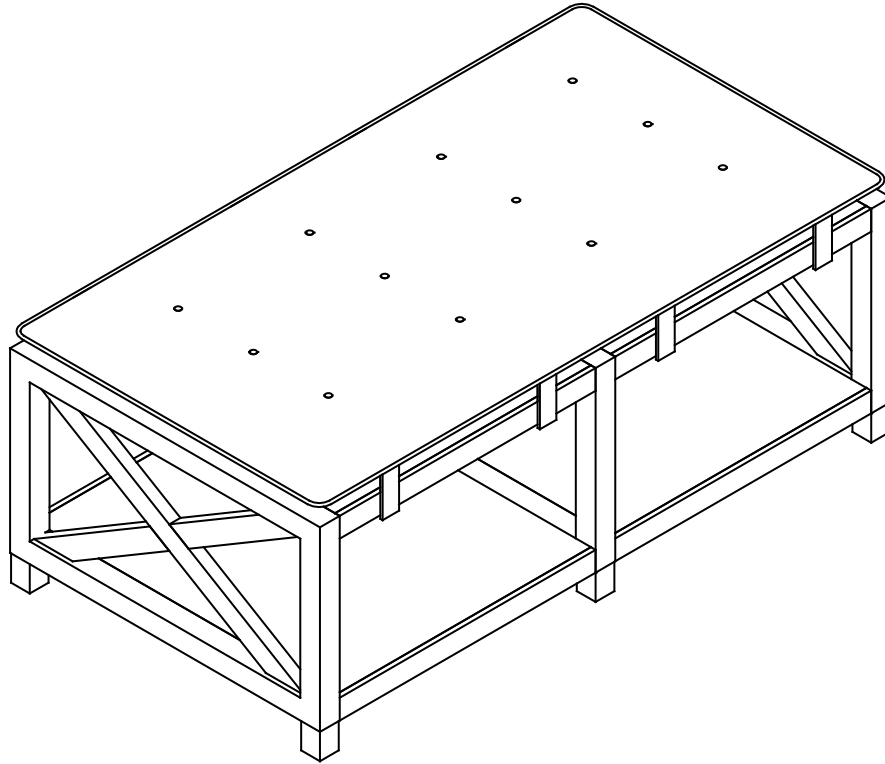


CALVACANTE COLLECTION



ASSEMBLY INSTRUCTIONS

ITEM#: 7022

SKU#: 810531299

OTTOMAN TABLE

Need help? We are here for you!
www.biglots.com/help/contact-us

GENERAL BEST PRACTICES FOR ASSEMBLY:

- *Please read the assembly instructions prior to assembling this product.
- *Determine you have adequate space for assembly.
- *Assembly by two adults is recommended.
- *Assemble on soft surfaces to prevent damage to product finish.
- *Keep children away during assembly. This item contains small parts which can be swallowed by children.
- *Do not discard any of packaging until you have checked that you have all the parts and hardware.
- *Retain the assembly instructions for further reference.
- *The manufacturer will not accept responsibility for unauthorized repairs or modifications to this product.

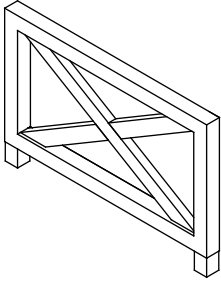
WARNINGS:

- *DO NOT use power tools.
- *Remove all packaging material, make sure all parts are present before assembly.
- *Should this product become damaged, and/or components are broken or missing, DO NOT USE.
- *This product will burn if left in contact with flame source.

MAINTENANCE:

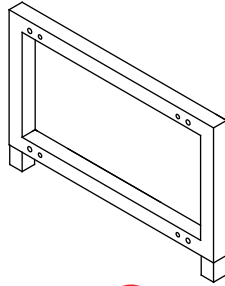
- *Insider Tip: Fabric and foam can shift slightly during shipping.
This can easily be smoothed with your fingertips, working outwards toward the corners.
- *Treat upholstered surfaces with care. Clean any spills immediately using a clean, slightly dampened cloth and dabbing the area until the spill is removed.
- *DO NOT use any chemical cleaners. Hardware may loosen over time.
- *Periodically check all bolts and fully tighten any that are loose.

PARTS LIST



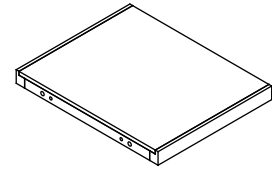
A

Leg Frame
x 2pcs



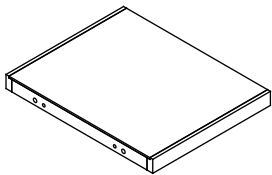
B

Middle Leg Frame
x 1pc



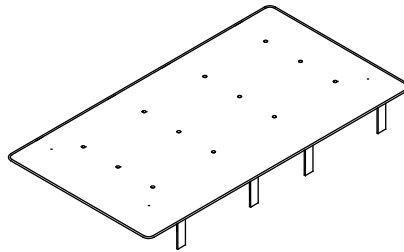
C

Top Panel
x 2pcs



D

Bottom Panel
x 2pcs



E

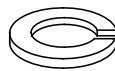
PU Cushion
x 1pc

HARDWARE LIST



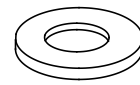
1

Allen Bolt x 16pcs
Ø5/16" x 42mm



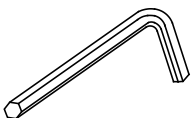
2

Lock Washer x 16pcs
Ø5/16" x 13mm



3

Flat Washer x 16pcs
Ø5/16" x 22mm



4

Allen Key x 1pc
Ø5mm



5

Wood Dowel x 16pcs
Ø10 x 30mm

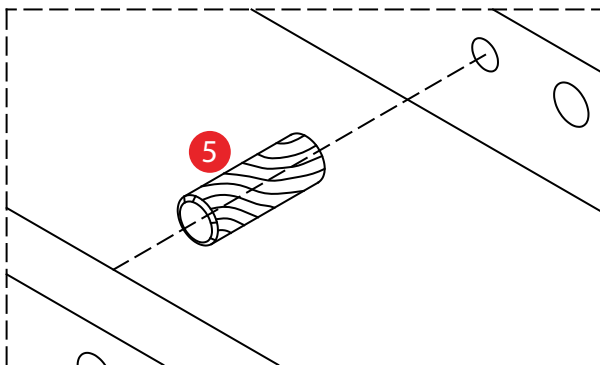
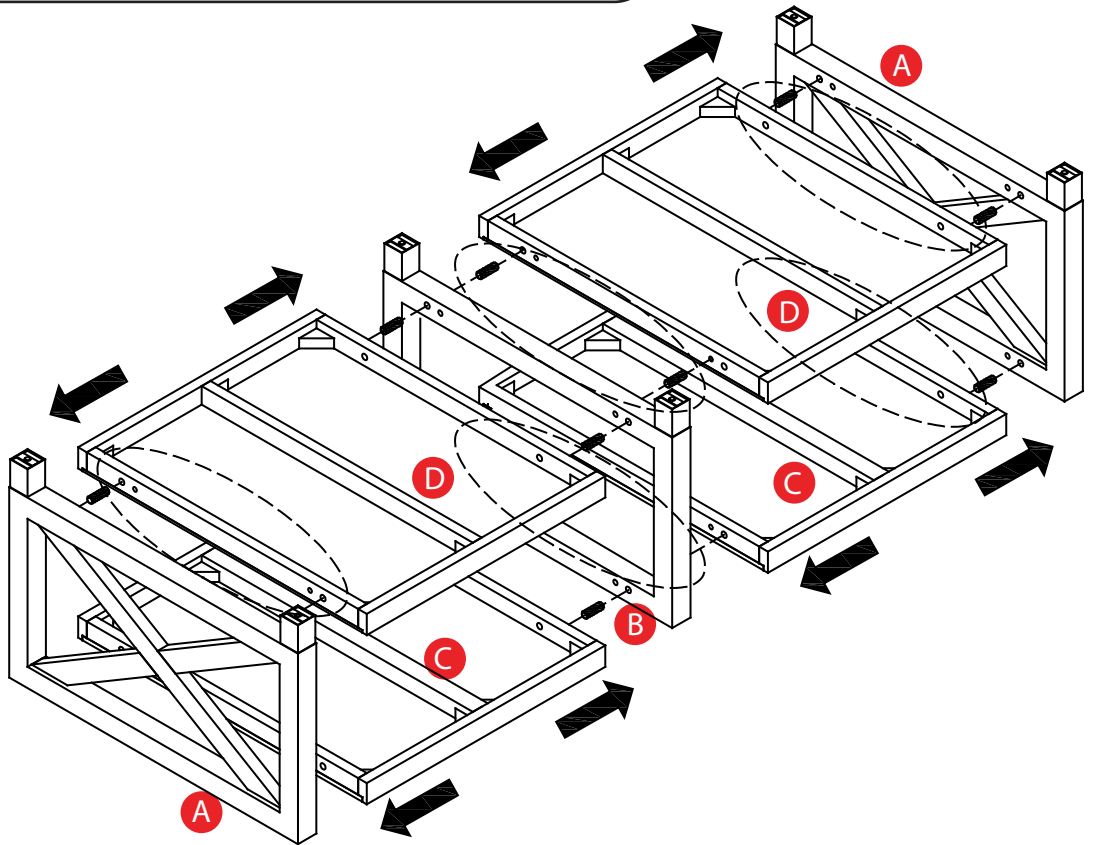
STEP 1

HARDWARE NEEDED

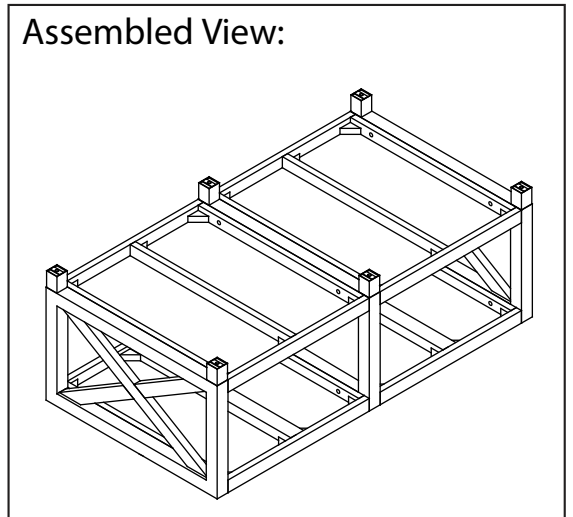


5
x16

Place all the parts onto a solid nonabrasive surface such as carpet or a cloth to prevent damage to the product. Insert the Wood Dowels (5) into the smaller holes of the Top Panel (C) and the Bottom Panel (D). With assistance from another adult, align the Wood Dowels (5) in Top Panel (C) and Bottom Panel (D) with the holes in Leg Frame (A) and Middle Leg Frame (B) and slide into place as shown in the diagram.



Assembled View:

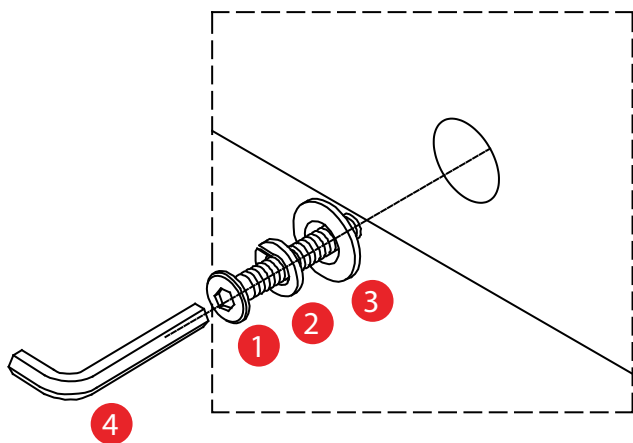
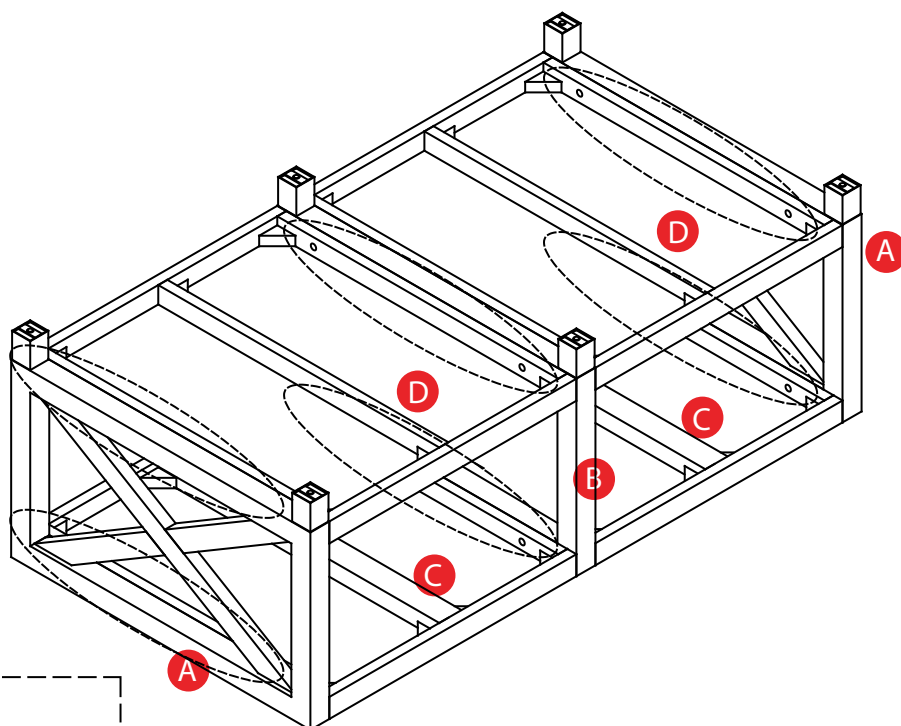
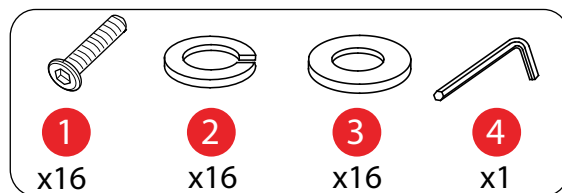


STEP 2

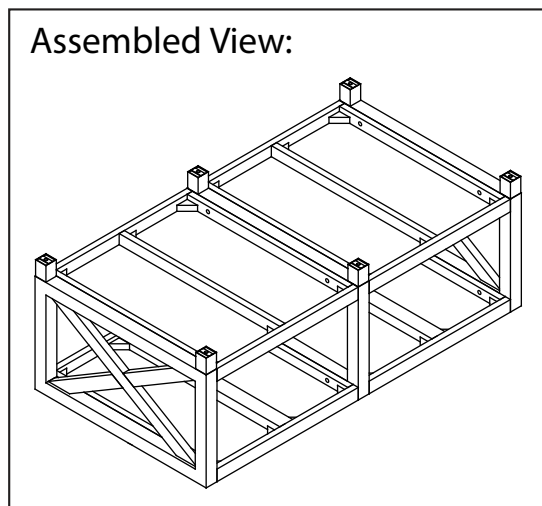
Secure Top Panel (C) and Bottom Panel (D) to Leg Frames (A) and Middle Leg Frame (B) with Allen Bolt (1), Lock Washer (2) and Flat Washer (3) using Allen Key (4).

Make sure the edges of Top Panel (C) and Bottom Panel (D) are aligned with the edges of Leg Frame (A) and Middle Leg Frame (B). Fully tighten all bolts

HARDWARE NEEDED

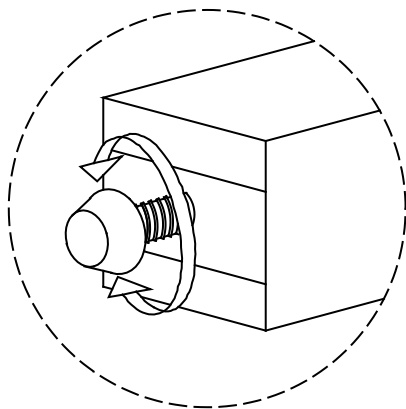
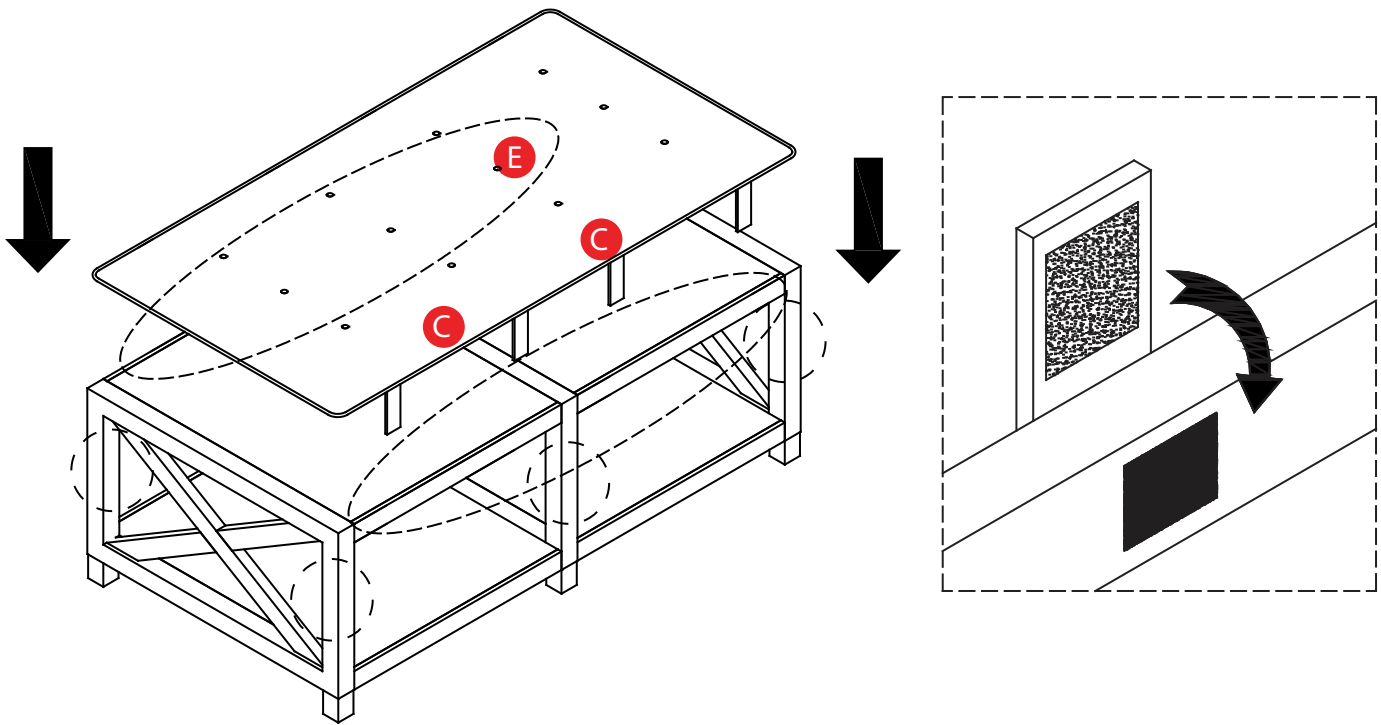


Assembled View:



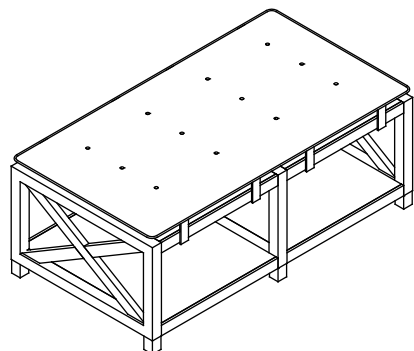
STEP 3

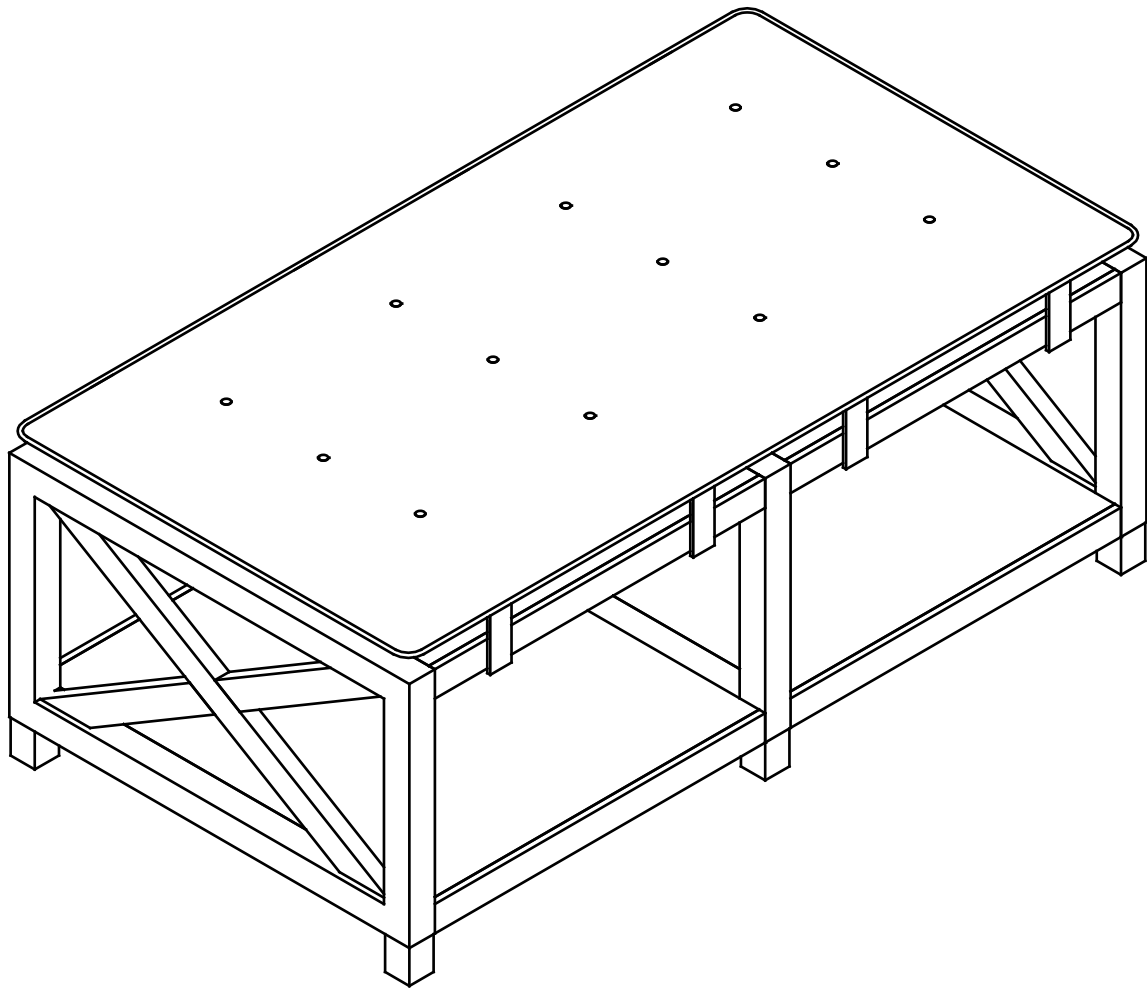
With assistance from another adult, carefully turn the assembled base to the upright position. Place the PU Cushion (E) onto the Top Panel (C). Secure the PU Cushion (E) by attaching the straps to the inside edge of Top Panel (C) as shown in the diagram. Place the assembled Ottoman in the desired location. Use the levelers to level and stabilize the Ottoman as needed.



Adjustable

Assembled View:





ASSEMBLY IS COMPLETED