



ASSEMBLY INSTRUCTION

ITEM#: WT-B5231
SKU#: 810514656

BLACK OFFICE CHAIR

Need help? We are here for you!
www.biglots.com/help/contact-us

GENERAL BEST PRACTICES FOR ASSEMBLY:

Read all instructions before starting

Clear a flat covered space to being

Two adults are recommended for assembly

Note that hardware required is provided for every step

Pay attention to orientation

Letter of the part corresponds to a sticker on the product

Number of the hardware corresponds to its number in the package

Helpful hints provided along the way

WARNINGS:

All screws should be hand tightened only until the piece is completely assembled. (Start all screws first and then hand tighten them. This will make the assembly process much easier.) Once the piece is fully assembled, go back and fully tighten all screws with the tool provided.

Keep all children and pets away from assembly area. Children and pets should be supervised when they are in the area of the product construction.

Keep assembly area at least 6 feet from any obstruction such as a fence, garage, house, overhanging branches, laundry line or electrical wires.

Some parts may contain sharp edges. When assembling and using this product, basic safety precautions should always be followed to reduce the risk of personal injury and damage to the product. Please read all instructions before assembly and use.

The chairs are not to be used for standing purposes and will not function as a stool or step-ladder.

Use on even surface only.

This chair has a weight capacity of 275 lbs (124.7 kgs). Improper use of this product or failure to use as directed may result in injury.

Not intended for commercial use.

MAINTENANCE:

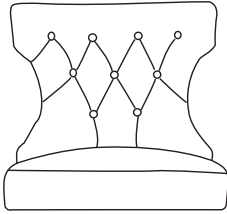
The chairs may be washed on the surface only by using mild soap and water or commercial foaming upholstery cleaner if necessary. Dry completely. Do not use bleach, acid, or other solvents on the fabric.

We recommend the use of furniture covers when not in use.

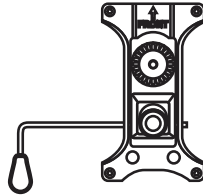
Inspect and tighten all of the bolts on a regular basis to ensure the proper performance and safety of your product.

In order to prolong the life and beauty of your product, we recommend that it be stored in a dry and protected area during off season periods.

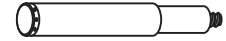
PARTS LIST



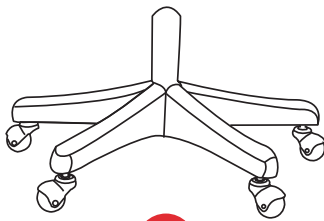
A
x1
Chair Seat & Back



B
x1
Mechanism

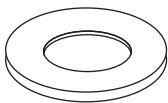


C
x1
Gas Lift



D
x1
Five-Star Base with Casters

HARDWARE LIST



E
x4
5/16" X 7/8" Flat Washer



F
x4
5/16" Open End Washer



G
x4
5/16" X 1-1/8" Inner Hexagon Screw



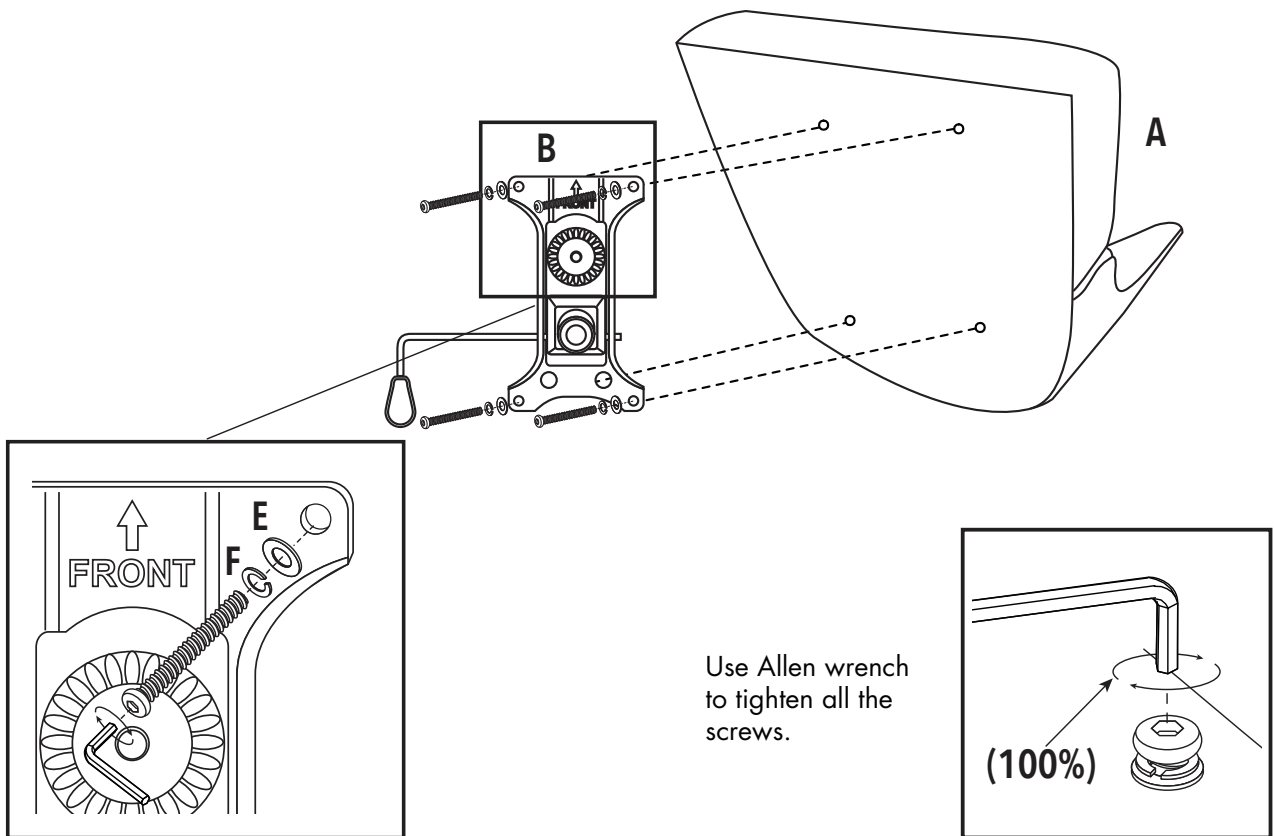
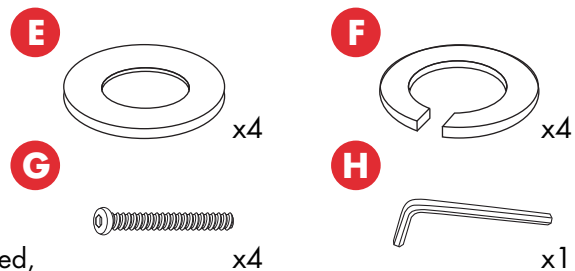
H
x1
Allen Wrench

HELPFUL HINTS

- Intended for residential use only.
- Separate parts before starting.
- It's better to put the non-woven bag under the chair when installing to prevent the chair from getting dirty.
- Ensure that all bolts are tightened before use. Check and tighten all bolts periodically throughout use of the product.

STEP 1

Place the Chair Seat and Back (A) on it's back. Attach the Mechanism (B) to the Chair Seat and Back (A) with Screw (G), Lock Washer (F) and Flat Washer (E). Start all four screws first. Once started, hand tighten until snug. Make sure the word "Front" on Mechanism (B) is towards the front side of the chair. Once all screws are hand tightened, use Allen Wrench (H) to fully tighten all screws.

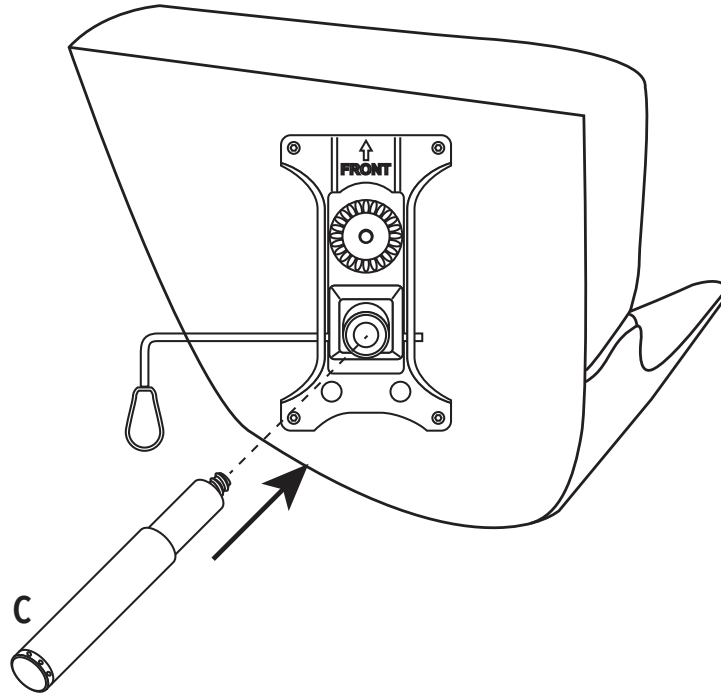


Use Allen wrench to tighten all the screws.

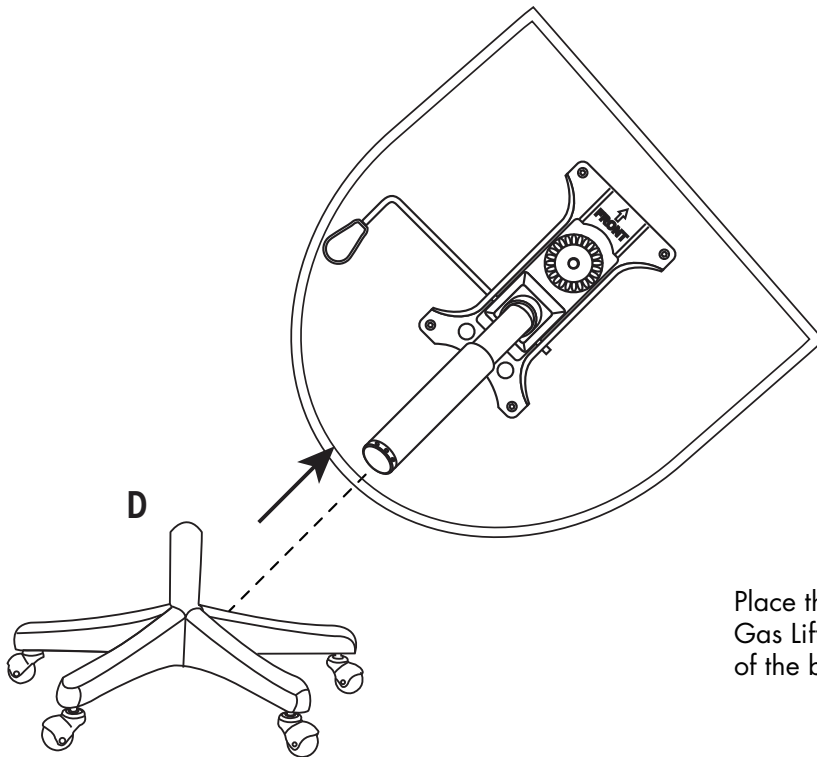
(100%)

STEP 2

Insert the gas lift
into the reserved hole
on the mechanism.



STEP 3



Place the five star base on it's wheels. Place the
Gas Lift (C) of the assembled chair into the center
of the base. Assembly is now complete.