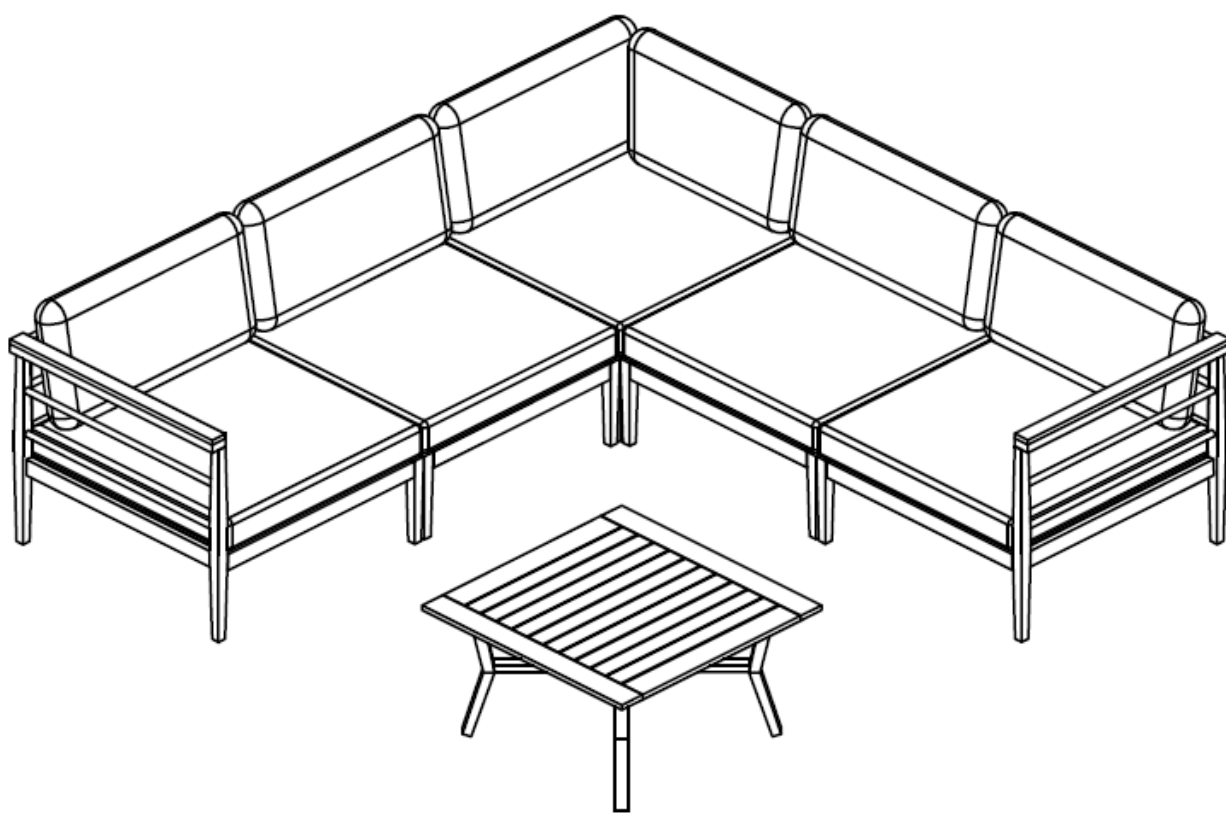


Assembly Instruction

Outdoor Aluminum Sectional Sofa Set with Cushions



Carefully unpack and identify each component before beginning assembly. Before you begin, please refer to parts list to make sure that you have all parts. Please take care when assembling the unit and always place the parts on a clean, soft surface. If you require assistance with assembly or parts, please call 888-357-7263.

Get social with us and discover more about our products, tips and exclusive discounts!



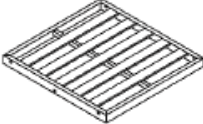
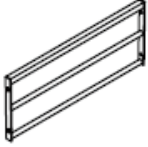


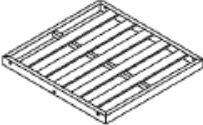
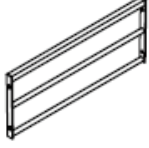


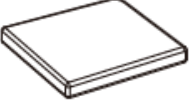
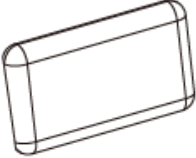
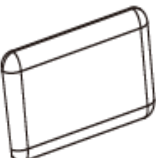


PRE - ASSEMBLY PREPARATION






WARNING! DO NOT LET CHILDREN PLAY IN OR AROUND THE UNIT DUE TO THE POSSIBLE RISK OF FINGER ENTRAPMENT

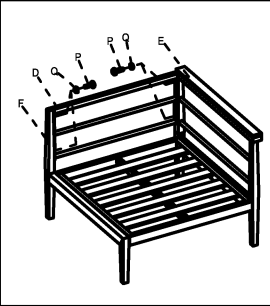
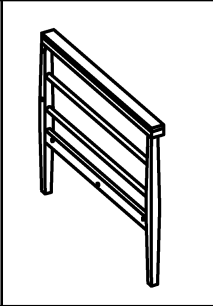
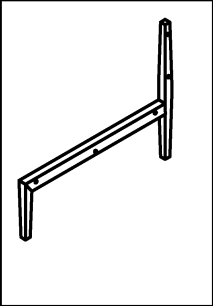
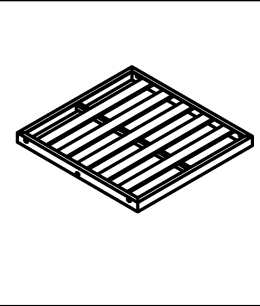
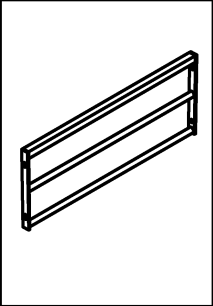
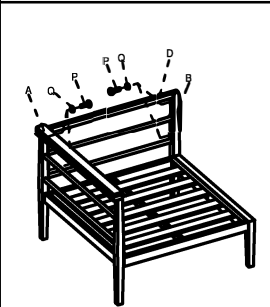
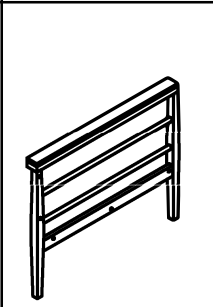
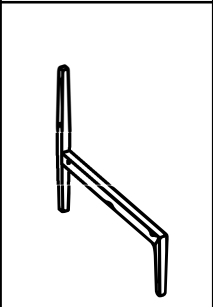
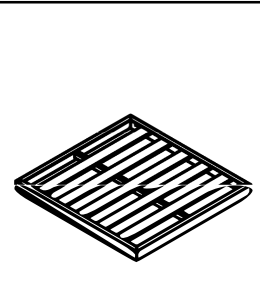
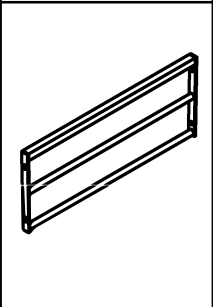
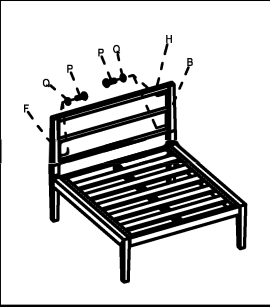
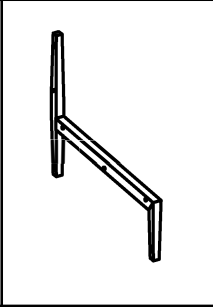
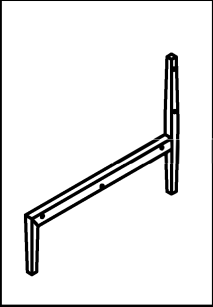

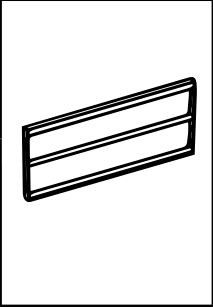
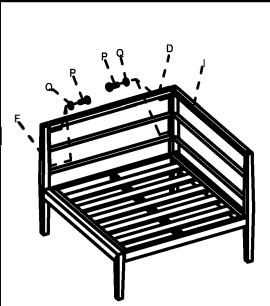
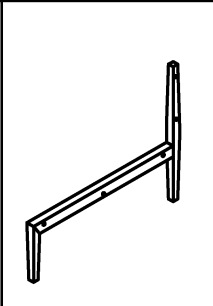
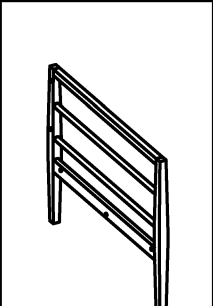
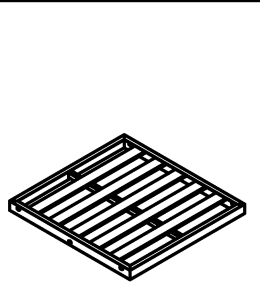
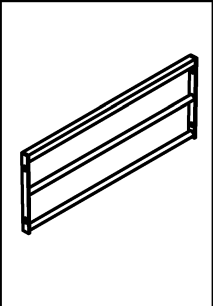
- Please read through this instruction before beginning assembly.
- Two adults assembly is recommended.
- Clear out the space for assembly and lay out all parts base on parts List, extra room will allow you to easily determine if all the pieces are present.
- Save all packing materials until assembly is complete to avoid accidentally discarding smaller parts or hardware.
- Keep small parts and pieces away from children until fully assembly.
- **Do not fully tighten the bolts until all have been inserted and hand tightened.**
- Please check for any loose screws and tighten them before use.
- If there is any questions, please contact us first, we will quickly solve any doubt for you.

PANEL AND FITTINGS IDENTIFICATION

<p>Right Armrest Panel(A)</p>  <p>Qty: 1</p>	<p>Left Leg(B)</p>  <p>Qty: 3</p>	<p>Armrest Seat Panel(C)</p>  <p>Qty: 3</p>	<p>Armrest Back Panel(D)</p>  <p>Qty: 3</p>	<p>Left Armrest Panel (E)</p>  <p>Qty: 1</p>
<p>Right Leg (F)</p>  <p>Qty: 4</p>	<p>Armless Seat Panel(G)</p>  <p>Qty: 2</p>	<p>Armless Back Panel(H)</p>  <p>Qty: 2</p>	<p>Corner Panel (I)</p>  <p>Qty: 1</p>	<p>Table (J)</p>  <p>Qty: 1</p>
<p>Seat Cushion (K)</p>  <p>Qty: 5</p>	<p>Back Cushion (L)</p>  <p>Qty: 5</p>	<p>Corner back Cushion (M)</p>  <p>Qty: 1</p>		

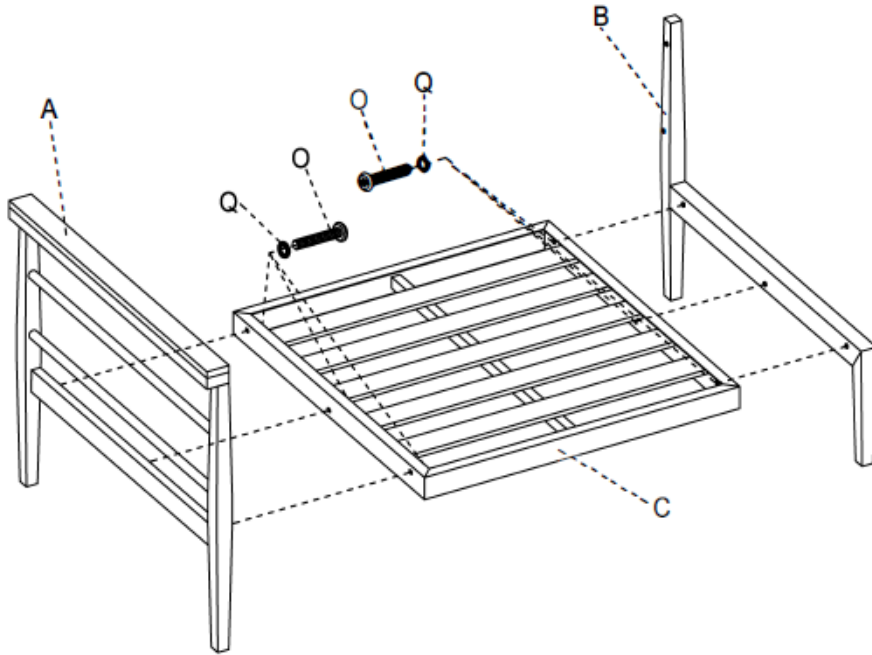
HARDWARE LIST

<p>Bolt (O) M6 X 35mm</p>  <p>Qty: 30</p>	<p>Bolt (P) M6 X 20mm</p>  <p>Qty: 20</p>	<p>Washer (Q) M6</p>  <p>Qty: 50</p>	<p>Wrench (R)</p>  <p>Qty: 1</p>	<p>Connect Tape (S)</p>  <p>Qty: 8</p>
--	--	---	---	---

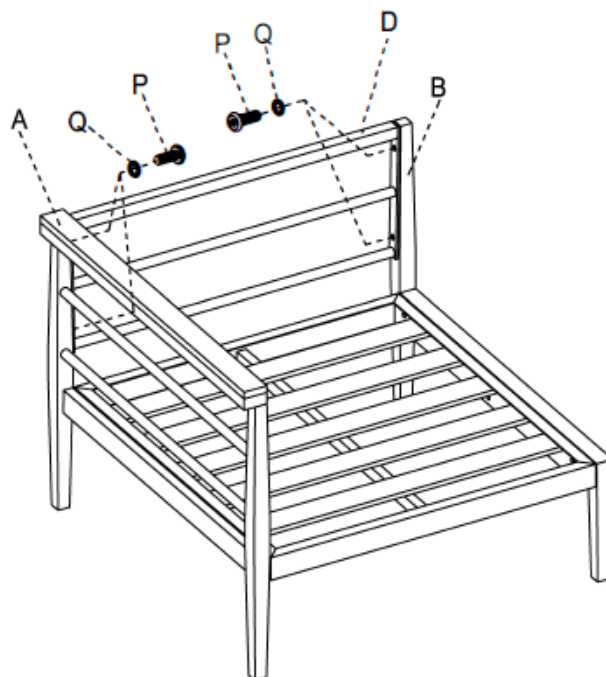
	Sketch Map	Left Armrest Panel (E)	Right Leg (F)	Armrest Seat Panel(C)	Armrest Back Panel(D)
Left Armrest Sofa					
	Sketch Map	Right Armrest Panel(A)	Left Leg(B)	Armrest Seat Panel(C)	Armrest Back Panel(D)
Right Armrest Sofa					
	Sketch Map	Left Leg(B)	Right Leg (F)	Armless Seat Panel(G)	Armless Back Panel(H)
Armless Sofa					
	Sketch Map	Right Leg (F)	Corner Panel (I)	Armrest Seat Panel(C)	Armrest Back Panel(D)
Corner Sofa					

NOTE: From step 1 to step 2 is for Right Armrest Sofa assembly.
Please find parts A, B, C, D firstly.

Step 1 Attach Right Armrest Panel (A) and Left Leg (B) to Armrest Seat Panel (C) by using 6 Washers (Q) and 6 long Bolts (O).



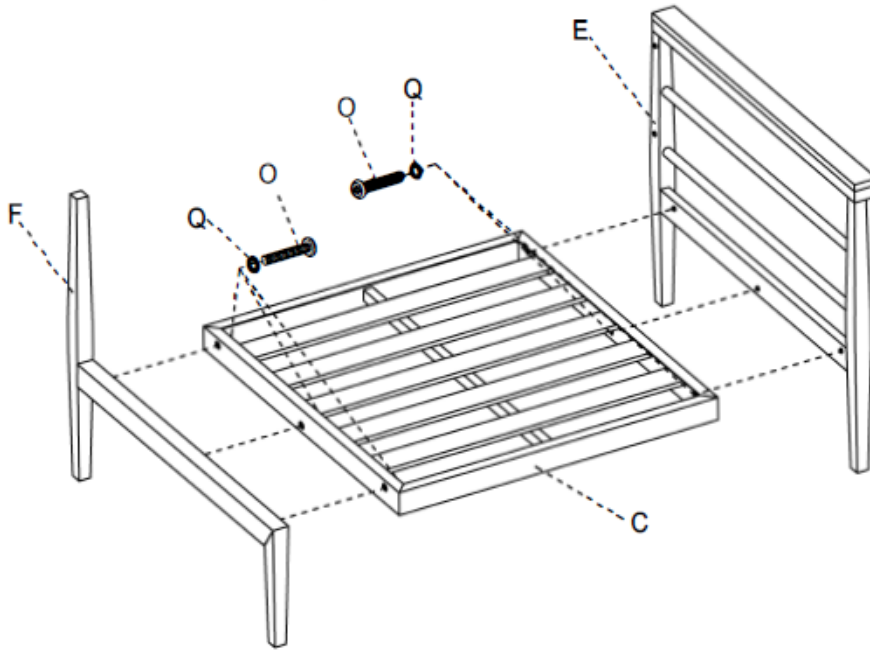
Step 2 Attach Armrest Back Panel (D) to Right Armrest Panel (A) and Left Leg (B) and Armrest Seat Panel (C) by using 4 washers (Q) and 4 short Bolts (P).



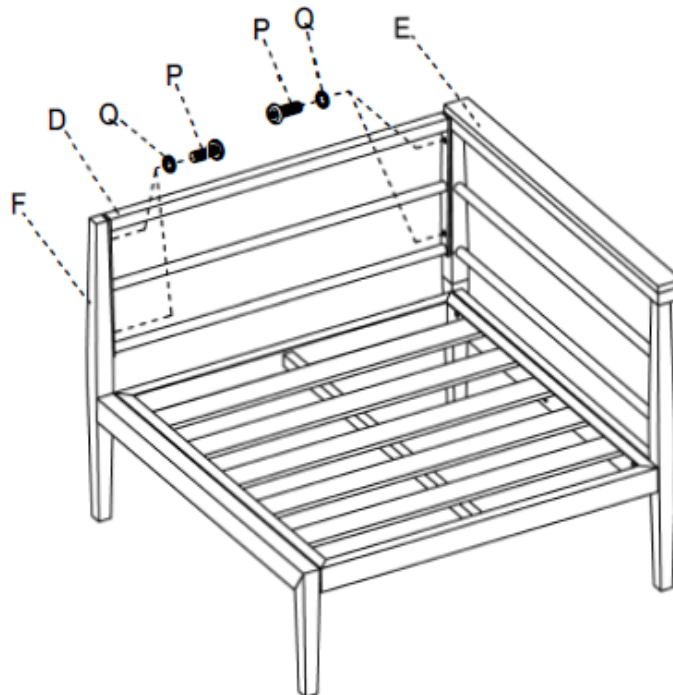
NOTE: Bolt here without washer.

NOTE: From step 3 to step 4 is for Left Armrest Sofa assembly.
Please find parts C, D, E, F firstly.

Step 3 Attach Right Leg (F) and Left Armrest Panel (E) to Armrest Seat Panel (C) by using 6 Washers (Q) and 6 long Bolts (O).



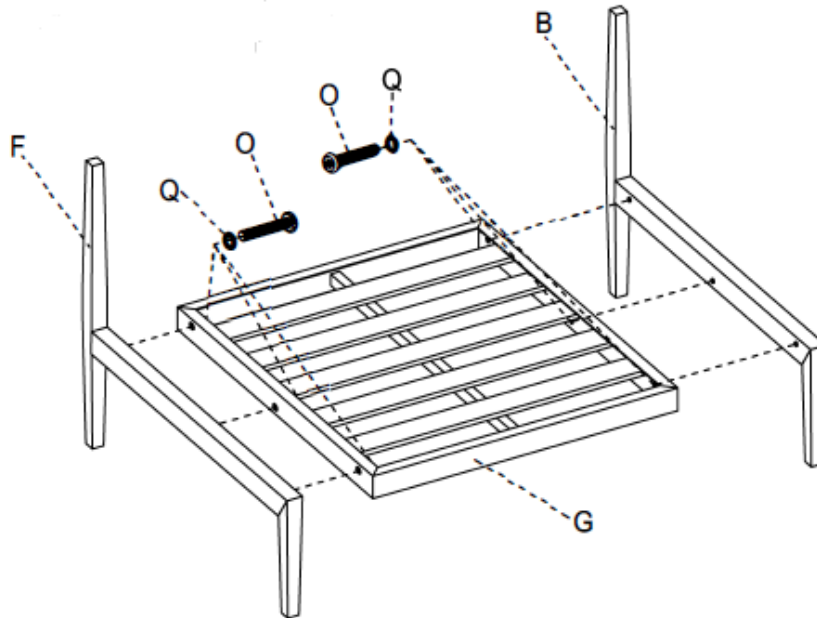
Step 4 Attach Armrest Back Panel (D) to Right Leg (F) and Left Armrest Panel (E) and Armrest Seat Panel (C) by using 4 washers (Q) and 4 short Bolts (P).



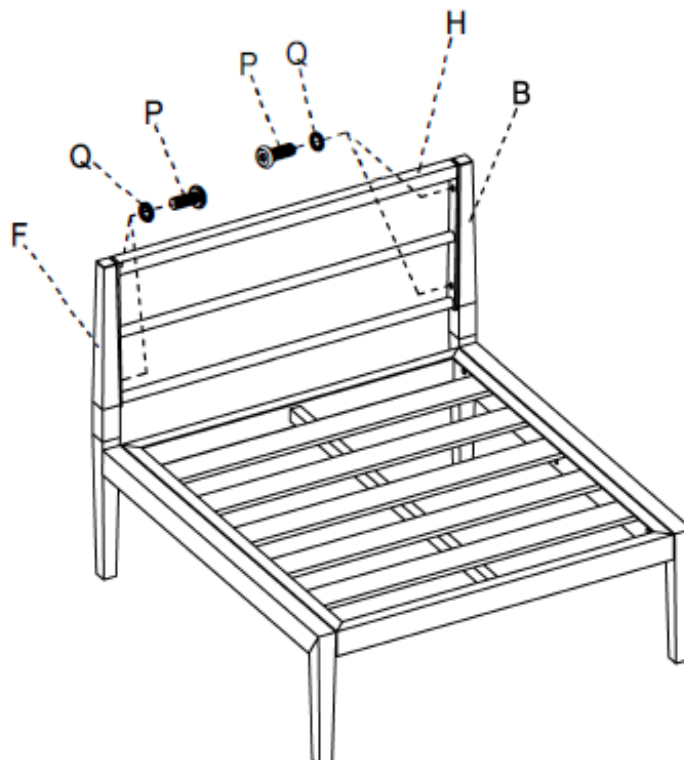
NOTE: Bolt here without washer.

NOTE: From step 5 to step 6 is for Armless Sofa assembly.
Please find parts B, F, G, H firstly.

Step 5 Attach Left Leg (B) and Right Leg (F) to the Armless Seat Panel (G) by using 6 Washers (Q) and 6 long Bolts (O).



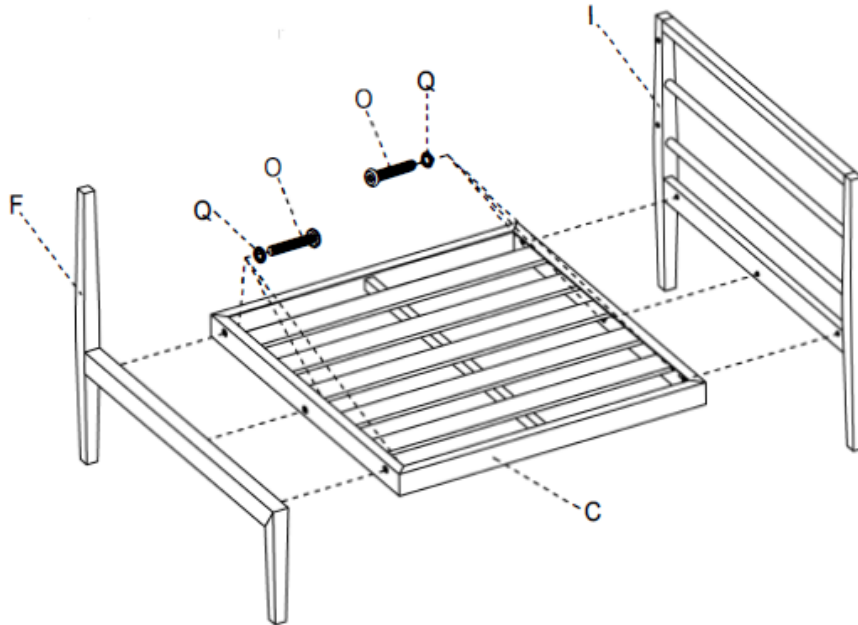
Step 6 Attach Armless Back Panel (H) to Left Leg (B) and Right Leg (F) and Armless Seat Panel (G) by using 4 washers (Q) and 4 short Bolts (P).



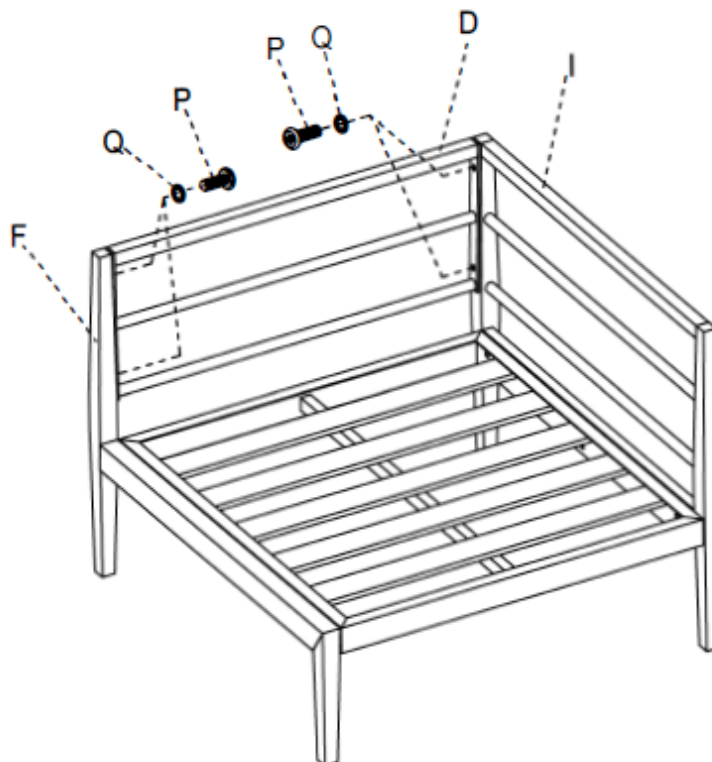
NOTE: Bolt here without washer.

**NOTE: From step 7 to step 8 is for Corner Sofa assembly.
Please find parts C, D, I, F firstly.**

Step 7 Attach Right Leg (F) and Corner Panel (I) to Armrest Seat Panel(C) by using 6 Washers (Q) and 6 long Bolts (O).

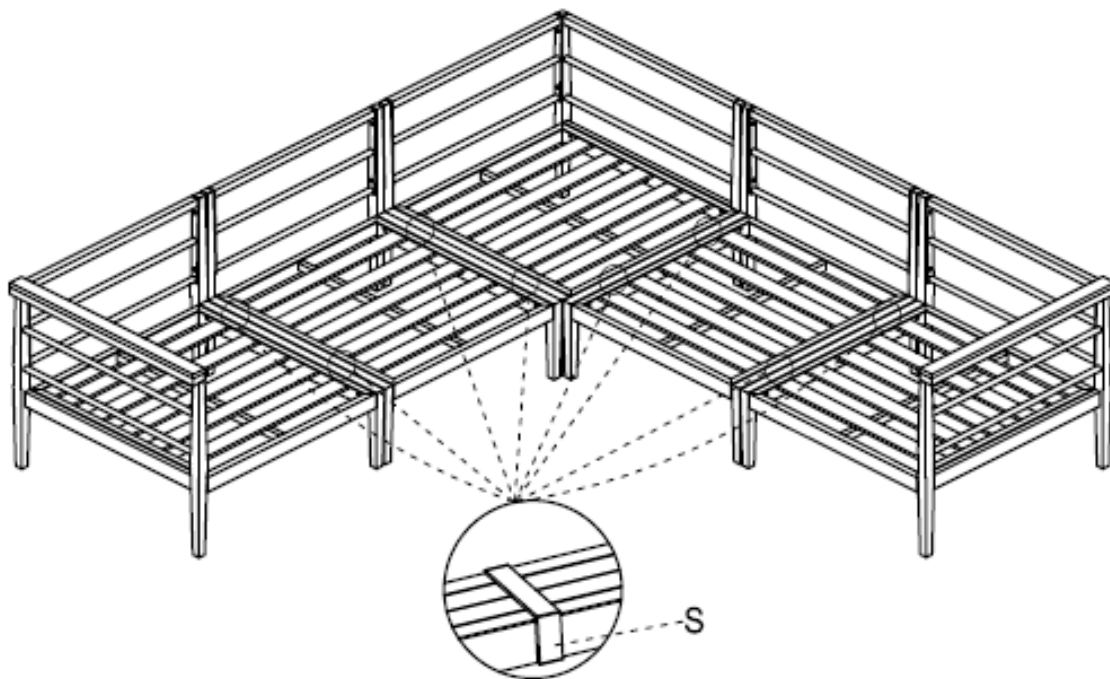


Step 8 Attach Armrest Back Panel (D) to Right Leg (F) and Corner Panel (I) and Armrest Seat Panel(C) by using 4 washers (Q) and 4 short Bolts (P).



NOTE: Bolt here without washer.

Step 9 Connect the Corner Sofa (K) to the Left & Right Loveseat sofa by using 4 connect tape (S).



Step 10 Put on Back Cushion (K) and Seat Cushion (L & M).
Please make sure all bolts are properly tightened before use.

